

SINGER
770A51,A91

Parts List
Illustrierte Teileliste

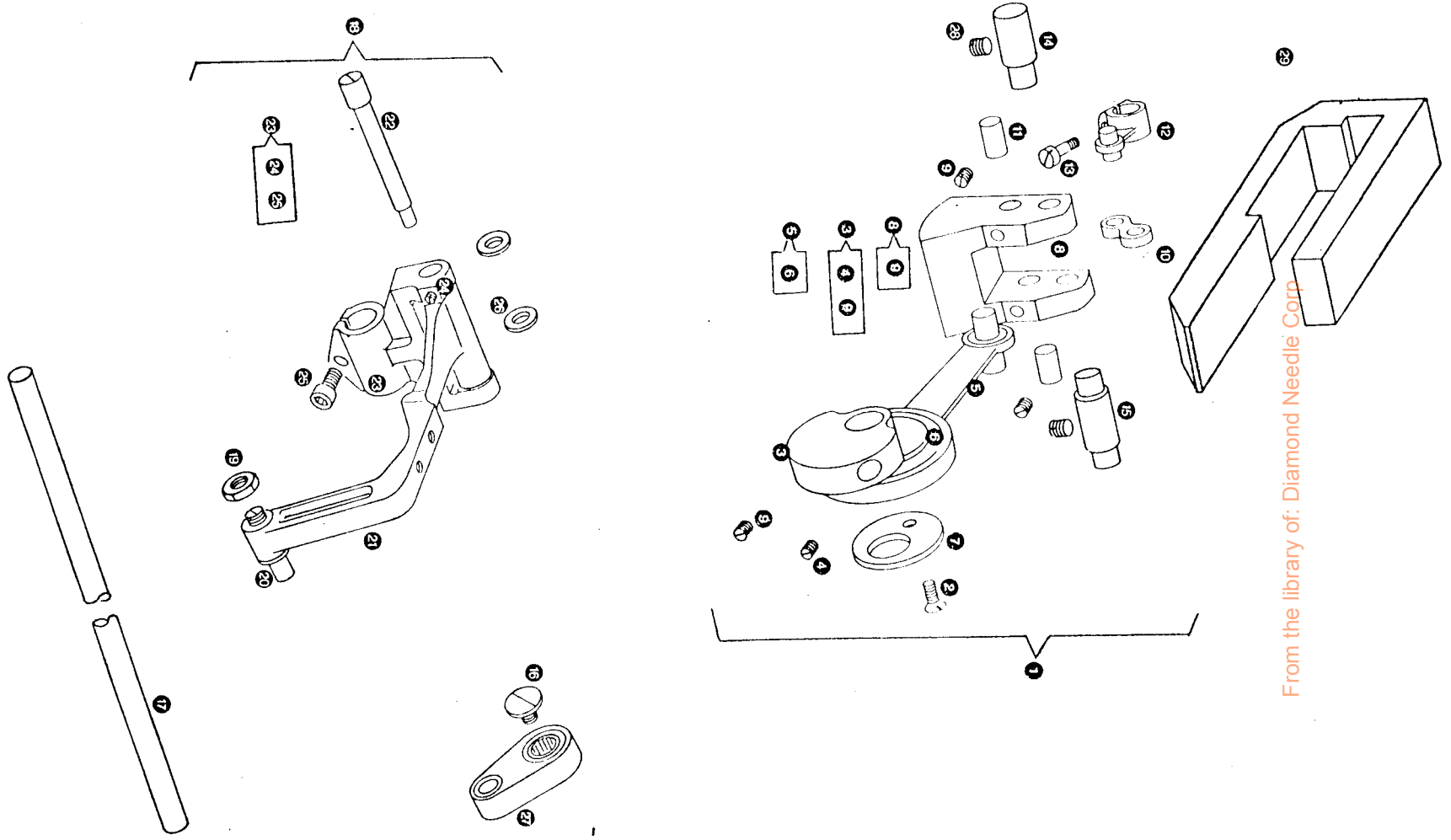
SINGER
INDUSTRIAL PRODUCTS

From the library of: Diamond Needle Corp

PRELIMINARY EDITION
VORLÄUFIGE AUSGABE

770

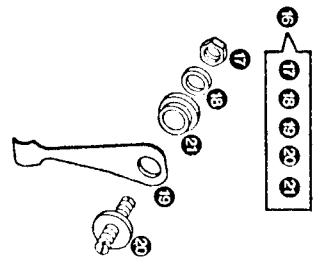
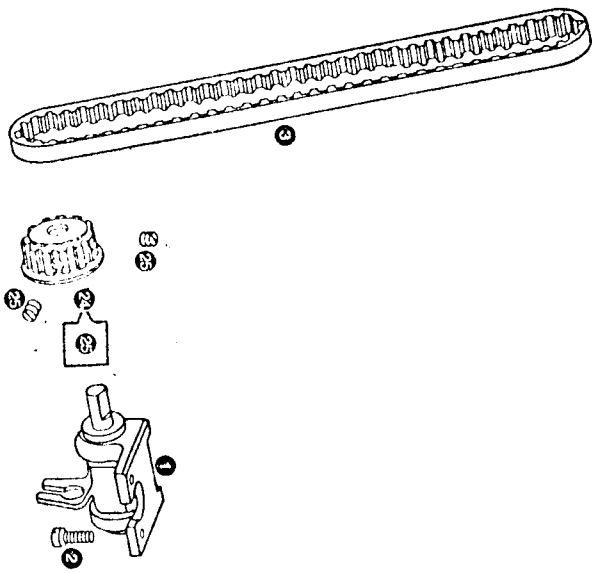
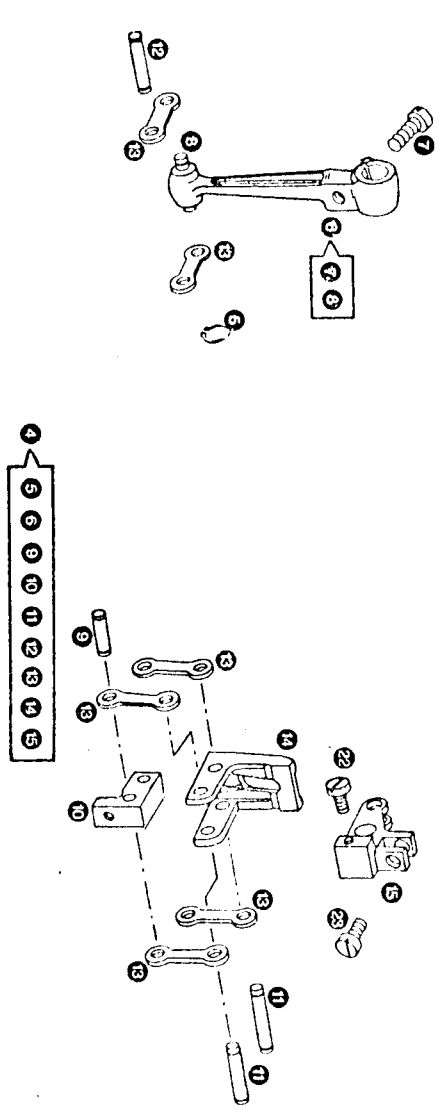
A51
A91



From the library of: Diamond Needle Corp.

1.10 Stitch Regulating Mechanism (upper) - Stichverstellung (oben)

Ill. Ref. No.	Part Number	Description	
1	0-513 001-000	Hollow Shaft	Hohlwelle
2	0-500 449-850	Screw (Cylinder Head) w/Dog	Zylinderschraube mit Zapfen
3	0-513 003-000	Crank cpl. (Ref. No. 4)	Klemmkurbel kpl.
4	0-500 440-850	Screw (Cylinder Head)	Zylinderschraube
5	0-513 004-000	Connecting Link	Zugstange
6	0-513 005-000	Adjust. Crank cpl. (Ref. No. 7-8, 10-11)	Stellkurbel kpl.
7	0-500 450-850	Thumb Screw	Stellschraube
8	0-513 006-000	Crank cpl. (Ref. No. 9)	Kurbel kpl.
9	0-500 440-850	Screw (Cylinder Head)	Zylinderschraube
10	0-513 007-000	Stud	Bolzen
11	0-513 008-000	Clamping Piece	Klemmstück
12	0-500 784-819	Hexagon Nut (2)	Sechskantmutter
13	0-513 009-000	Support for Double Lever cpl. (Ref. No. 14-15, 17)	Hebellagerung kpl.
14	0-500 473-850	Shoulder Screw	Linsenschraube m.
15	0-513 010-000	Bearing Block cpl. (Ref. No. 16)	Lagerklotz kpl.
16	0-500 438-833	Set Screw	Gewindestift
17	0-513 011-000	Double Lever cpl. (Ref. No. 18)	Doppelhebel kpl.
18	0-512 089-000	Paral. Pin	Zylindersistift
19	0-513 038-000	Adjust. Indicator cpl. (Ref. No. 20-21)	Zeiger kpl.
20	0-001 708-850	Hexagon Nut	Sechskantmutter
21	0-051 231-850	Screw (Cylinder Head)	Zylinderschraube m.
22	0-513 040-000	Indicator Plate	Skala (Ans.
23	0-513 012-000	Pressure Spring	Druckfeder
24	0-513 014-000	Coupling Link	Kupplungsstück
25	0-513 018-000	Stud	Bolzen
26	0-502 958-000	Retaining Ring(2)	Sicherungsring
27	0-502 802-000	Retaining Ring (2)	Sicherungsring
28	0-500 429-000	Screw (2)	Schraube
29	0-500 435-000	Screw (Cylinder Head)	Zylinderschraube



From the library of: Diamond Needle Corp

1.9 Feeding Mechanism (lower) - Stoffschiebeeinrichtung (unten)

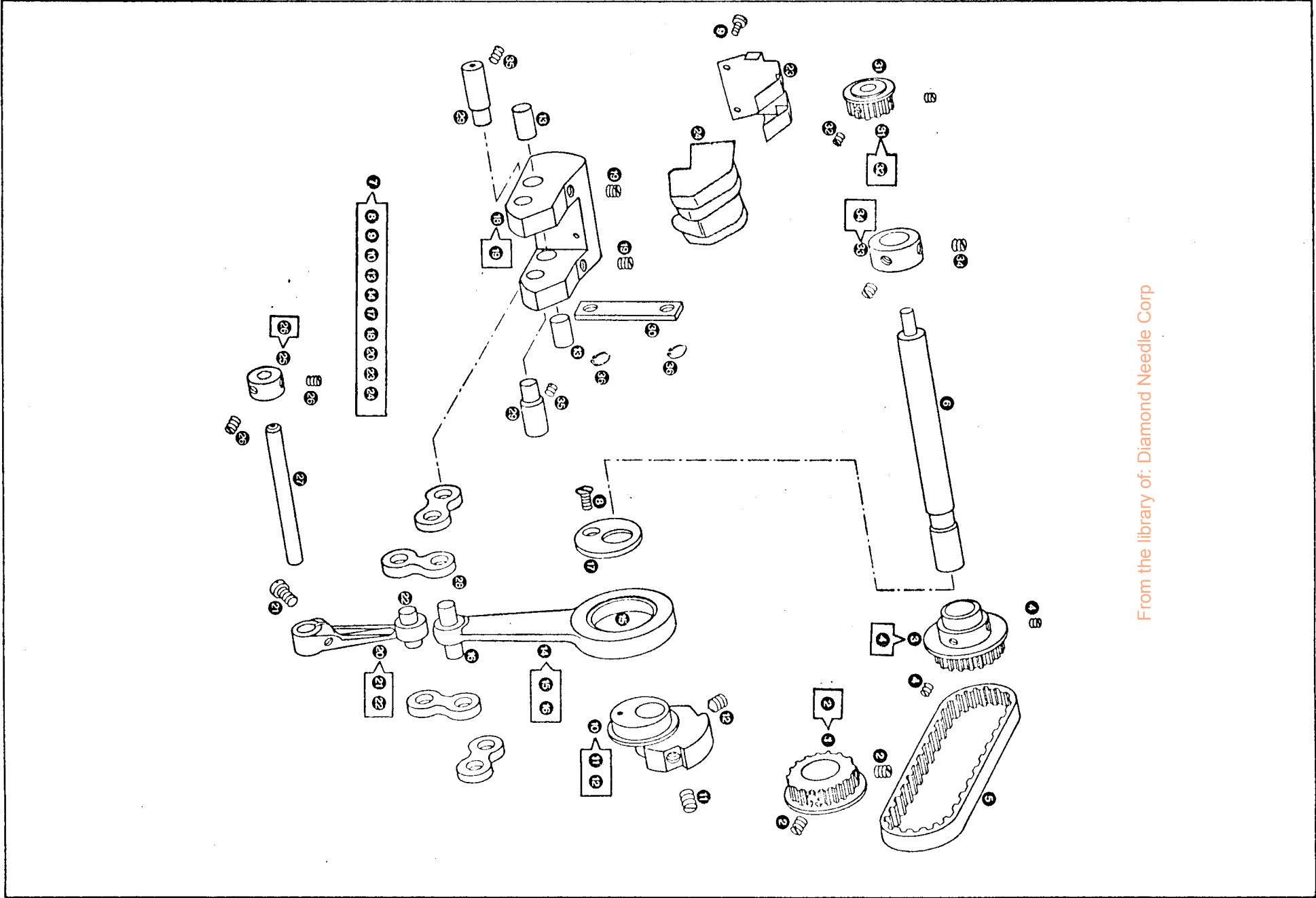
III. Ref. No. Part Number Description

III. Ref. No.	Part Number	Description	
1	0-512 635-000	Feeding Mechanism (Ref. No. 2-3, 5, 7-8, 10-12)	Transport - mechanismus
2	0-500 431-850	Flat Head Screw	Senkschraube
3	0-512 625-000	Eccentric cpl. (Ref.No.4, 9)	Exzenter kpl.
4	0-500 426-833	Set Screw	Gewindestift
5	0-512 626-000	Connecting Link (Ref.No.6)	Zugstange kpl.
6	0-512 027-000	Ball Bearing	Rillenkugellager
7	0-512 627-000	Eccentric Washer	Exzenterscheibe
8	0-512 630-000	Adjusting Frame (Ref.No.9)	Stellrahmen kpl.
9	0-000 443-833	Set Screw (3)	Gewindestift
10	0-512 631-000	Connecting Link Set	Laschensatz
11	0-512 632-000	Stud (2)	Bolzen
12	0-512 634-000	Crank cpl. (Ref. No. 14)	Kurbel kpl.
13	0-500 440-850	Screw (Cylinder Head)	Zylinderschraube
14	0-513 116-000	Hinge Stud For 770A51 only	Lagerbolzen Nur für 770A51
15	0-512 629-000	Hinge Stud	Lagerbolzen
16	0-500 401-850	Screw (Cylinder Head)	Zylinderschraube
17	0-512 683-000	Shaft	Schubwelle
18	0-512 798-000	Feed Bar cpl. (Ref. No. 19-21, 22-23, 26)	Transportträger kpl.
19	0-001 520-850	Hexagon Nut	Sechskantmutter
20	0-512 766-000	Eccenter Stud	Exzenterbolzen
21	0-512 767-000	Feed Bar cpl.	Transportträger kpl.
22	0-512 768-000	Eccenter Stud	Exzenterbolzen
23	0-512 769-000	Feed Driving Crank cpl. (Ref. No. 27-28)	Schubkurbel kpl.
24	0-000 624-833	Set Screw	Gewindestift
25	0-350 719-869	Hexagon Socket Head Screw	Zylinderschraube mit Innensechskant
26	0-512 770-000	Washer (2)	Scheibe
27	0-512 764-000	Connecting Link cpl. (Ref. No. 31)	Gelenk kpl.
28	0-500 315-833	Set Screw (2)	Gewindestift
29	0-512 708-000	Cushion	Schaumpolster

1.8 Feeding Mechanism (upper) - Stoffschiereinrichtung (oben)

Ill. Ref. No.	Part Number	Description	
1	0-512 990-000	Bearing Eccentric Shaft	Exzenter Wellenlager
2	0-500 434-850	Screw (Cylinder Head) (2)	Zylinderschraube (kpl.)
3	0-513 000 -000	Arm Shaft Conn. Belt	Zahnflachriemen
4	0-513 147-000	Upper Feed Mechanism (Ref. No. 5-6, 9-15)	Oberer Stoffschieber- Mechanismus
5	0-512 088-000	Retaining Ring (10)	Sicherungsring
6	0-512 981-000	Crank cpl. (Ref. No. 7-8)	Kurbel kpl.
7	0-500 440-850	Screw (Fillister Head)	Zylinderschraube
8	0-512 998-000	Stud	Bolzen
9	0-512 987-000	Stud	Bolzen
10	0-512 996-000	Coupling	Koppel
11	0-512 997-000	Stud (2)	Bolzen
12	0-512 998-000	Stud	Bolzen
13	0-512 999-000	Connecting Ling Set	Laschensatz
14	0-513 046-000	Lever Piece	Hebestück
15	0-513 085-000	Receiving Link	Aufnahmegelenk
16	0-513 048-000	Leaf Spring cpl. (Ref. No. 17-21)	Blattfeder kpl.
17	0-051 775-850	Hexagon Nut	Sechskantmutter
18	0-512 035-000	Spring Washer	Federring
19	0-513 049-000	Leaf Spring	Blattfeder
20	0-513 050-000	Screw Stud	Gewindebolzen
21	0-513 051-000	Washer	Scheibe
22	0-190 850-000	Screw (Cylinder Head)	Zylinderschraube
23	0-500 435-850	Screw (Cylinder Head)	Zylinderschraube
24	0-513 041-000	Driving Belt Pulley (Ref. No. 25)	Gurtrad kpl.
25	0-050 150-833	Set Screw (2)	Gewindestift

From the original drawing

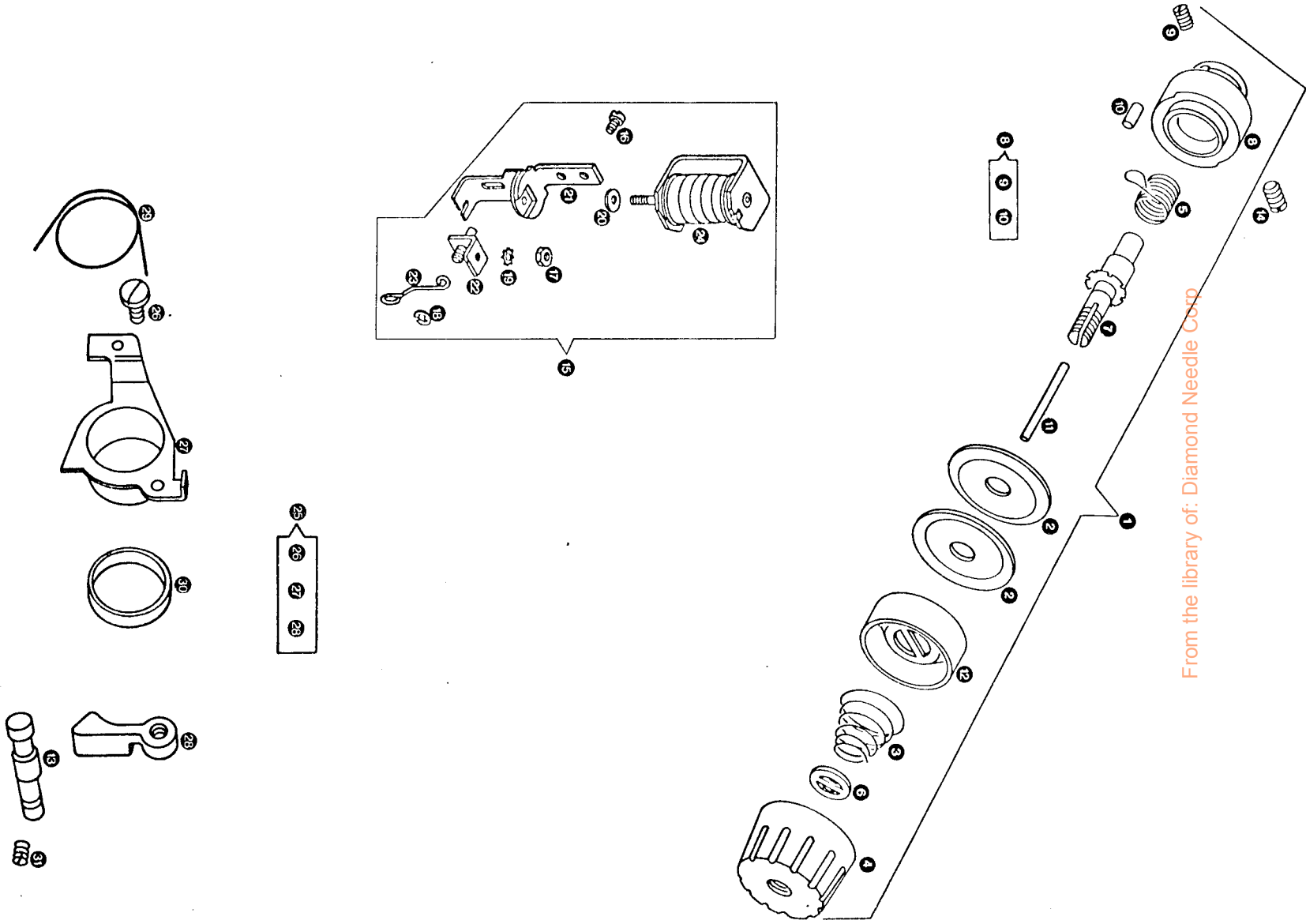


From the library of: Diamond Needle Corp

fl. Ref. No.	Part Number	Description
28	0-512 631-000	Connecting Link Set
29	0-513 116-000	Stud (2)
30	0-512 674-000	Link
31	0-513 041-000	Belt Pulley cpl. (Ref. No. 32)
32	0-050 150-833	Set Screw (2)
33	0-513 173-000	Collar cpl. (Ref. No. 34)
34	0-000 453-833	Set Screw (2)
35	0-500 438-833	Set Screw (2)
36	0-502 802-000	Retaining Ring
		Laschensatz
		Bolzen
		Lasche
		Gurtrad kpl.
		Gewindestift
		Stellring kpl.
		Gewindestift
		Gewindestift
		Sicherungsring

1.8 Feeding Mechanism (upper) -Stoffschiebeeinrichtung (oben)

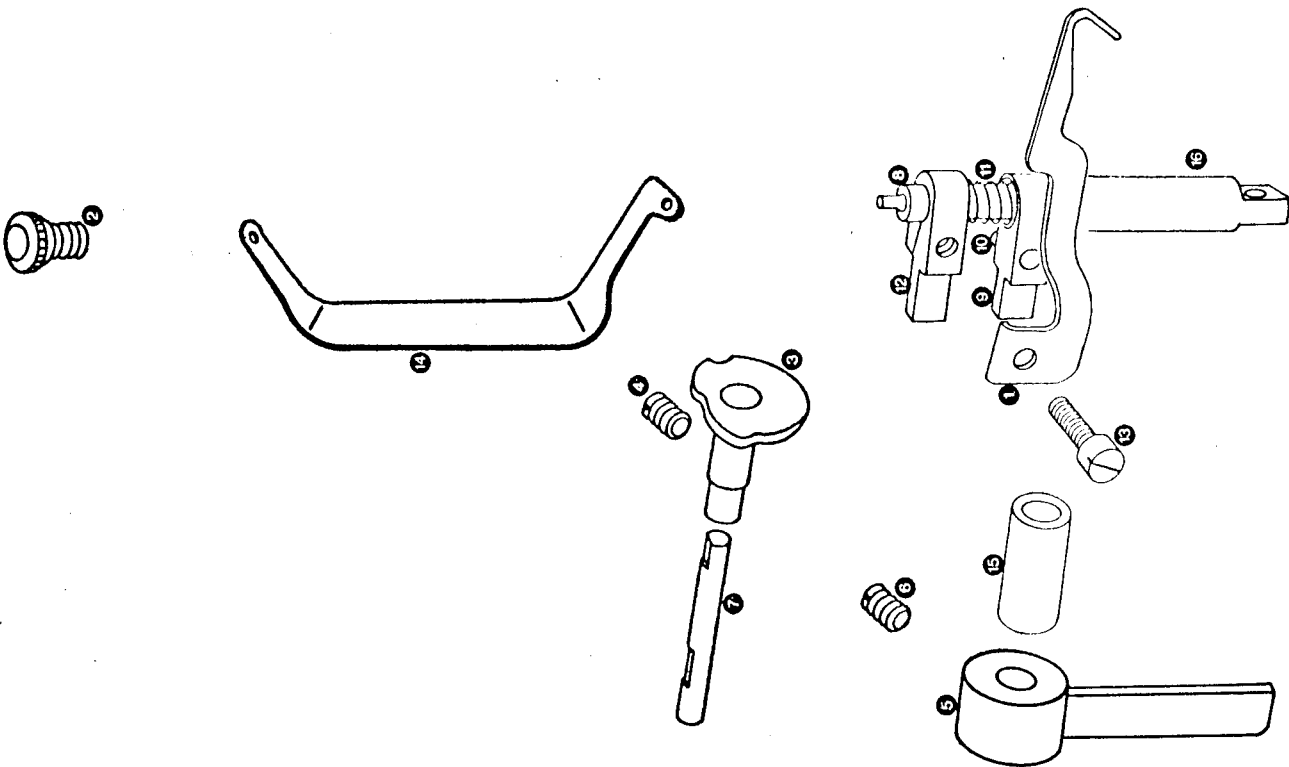
Ill. Ref.No.	Part Number	Description	
1	0-512 968-000	Belt Pulley (2) (Ref. No. 2)	Gurtrad kpl.
2	0-050 150-833	Set Screw (2)	Gewindestift
3	0-512 969-000	Belt Pulley cpl. (Ref.No.4)	Gurtrad kpl.
4	0-000 624-833	Set Screw (2)	Gewindestift
5	0-512 971-000	Arm Shaft Connecting Belt	Zahnflachriemen
6	0-512 972-000	Shaft	Welle
7	0-512 988-000	Feeding Mechanism (Ref. No. 8-10, 13-14, 17-18, 20, 23-24)	Transportmechanismus
8	0-500 431-850	Flat Head Screw	Senkschraube
9	0-500 434-850	Screw (Cylinder Head) (2)	Zylinderschraube
10	0-512 625-000	Eccentric cpl. (Ref.No. 11-12)	Exzenter kpl.
11	0-000 448-833	Set Screw	Gewindestift
12	0-500 426-833	Set Screw	Gewindestift
13	0-512 632-000	Stud	Bolzen
14	0-512 973-000	Connecting Rod cpl. (Ref. No. 15-16)	Zugstange kpl.
15	0-512 027-000	Ball Bearing	Rillenkugellager
16	0-512 633-000	Stud	Bolzen
17	0-512 975-000	Eccentric Washer	Exzentrerscheibe
18	0-512 976-000	Rock Shaft Driving Frame (Ref. No. 19)	Stellrahmen kpl.
19	0-000 443-833	Set Screw (2)	Gewindestift
20	0-512 977-000	Crank cpl. (Ref.No. 21-22)	Kurbel kpl.
21	0-500 440-850	Screw (Cylinder Head)	Zylinderschraube
22	0-512 632-000	Stud	Bolzen
23	0-512 985-000	Shackle	Lasche
24	0-512 986-000	Oil Pad	Schaumstoffpolster
25	0-512 980-000	Collar cpl. (Ref. No. 26)	Stellring
26	0-000 624-833	Set Screw (2)	Gewindestift
27	0-512 979-000	Shaft	Welle



From the library of: Diamond Needle Corp

Ill. Ref. No.	Part Number	Description
26	0-500 427-850	Shoulder Screw Linsenschraube mit Ansatz
27	0-512 660-000	Double Lever Doppelhebel
28	0-512 771-000	Lift Lever Lüfterhebel
29	0-512 661-000	Leg Spring Biegefeder
30	0-513 288-000	Spacer Distanzscheibe
31	0-500 438-833	Set Screw Gewindestift

From the library of Neepel Corp

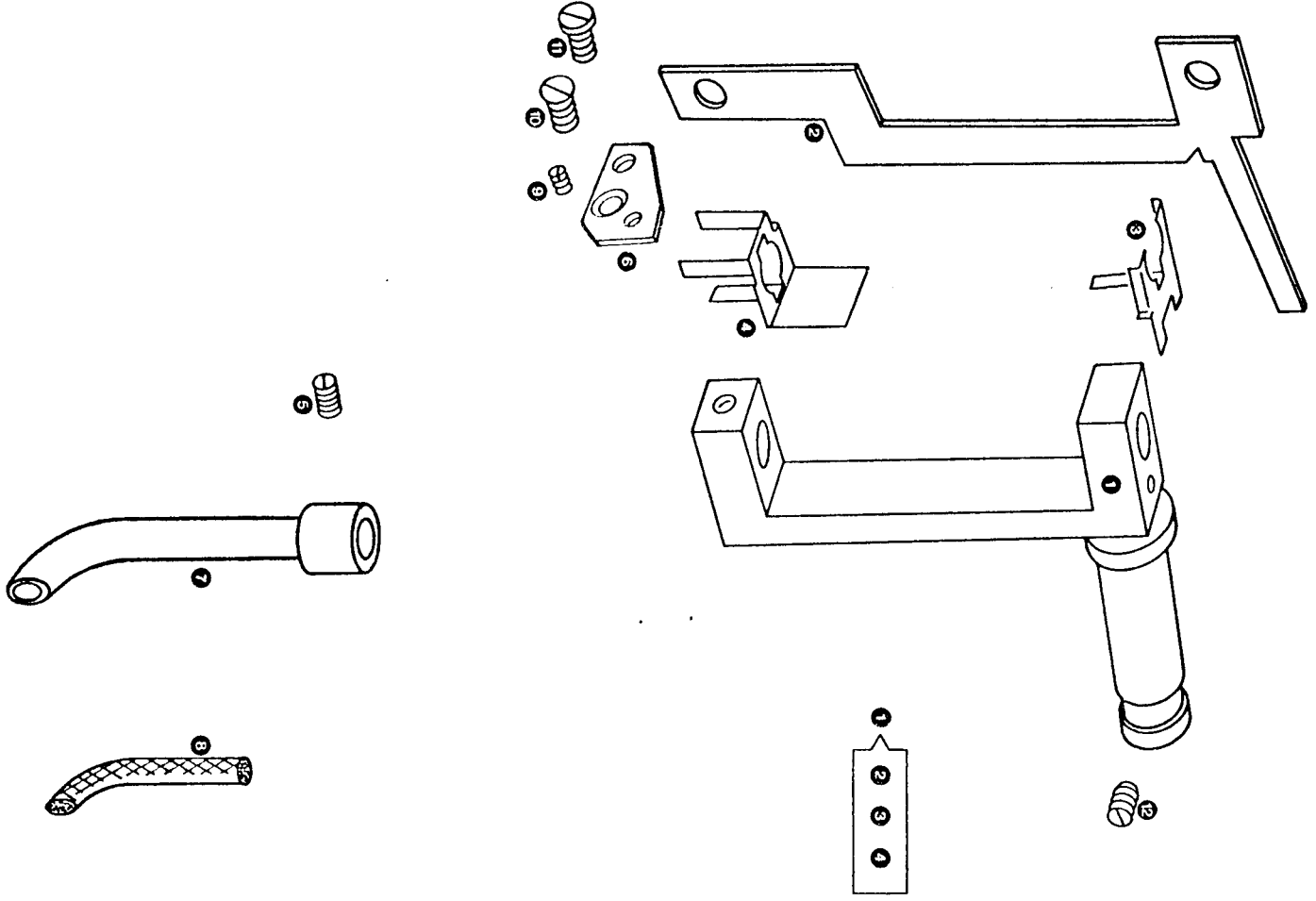


From the library of: Diamond Needle Corp

1.5 Thread Tension, Tension Releasing Device - Fadenspanner,
Spannungsauslösung

Ill. Ref. No.	Part Number	Description	
1	0-512 694-000	Thread Tension cpl. (Ref. No. 2-7, 8, 11)	Klemmfadenspannung kpl.
2	0-002 102-000	Tension Disc (2)	Spannungsscheibe
3	0-223 438-000	Taper Spring	Kegelfeder
4	0-500 800-821	Thumb Nut	Stellmutter
5	0-502 668-000	Tension Check Spring	Fadenanzugsfeder
6	0-512 010-000	Washer	Scheibe
7	0-512 688-000	Tension Stud	Fadenspannungsbolzen kpl.
8	0-512 689-000	Tension Housing cpl. (Ref. No. 9-10)	Spannungsgehäuse kpl.
9	0-000 457-833	Set Screw	Gewindestift
10	0-512 690-000	Pin	Stopfen
11	0-512 691-000	Releas. Pin	Stift
12	0-512 696-000	Spring Plate	Federteller
13	0-512 659-000	Eccenter Stud	Exzenterbolzen
14	0-000 624-833	Set Screw	Gewindestift
15	0-512 939-000	Tension Release cpl. (Ref. No. 16-24)For 770A91 only	Spannungsauslösung kpl. Nur für 770A91
16	0-050 138-850	Screw (Cylinder Head) (2)	Zylinderschraube
17	0-511 902-850	Hexagon Nut	Sechskantmutter
18	0-512 025-000	Retaining Washer	Sicherungsscheibe
19	0-512 070-000	Tooth. Lock Washer	Zahnscheibe
20	0-512 084-000	Washer	Scheibe
21	0-512 940-000	Stop cpl.	Anschlag kpl.
22	0-512 941-000	Angle cpl.	Winkel kpl.
23	0-512 942-000	Connecting Rod	Zugstange
24	0-603 306-000	Solenoid	Hubmagnet
25	0-513 054-000	Double Lever cpl. (Ref. No. 26-28)	Doppelhebel

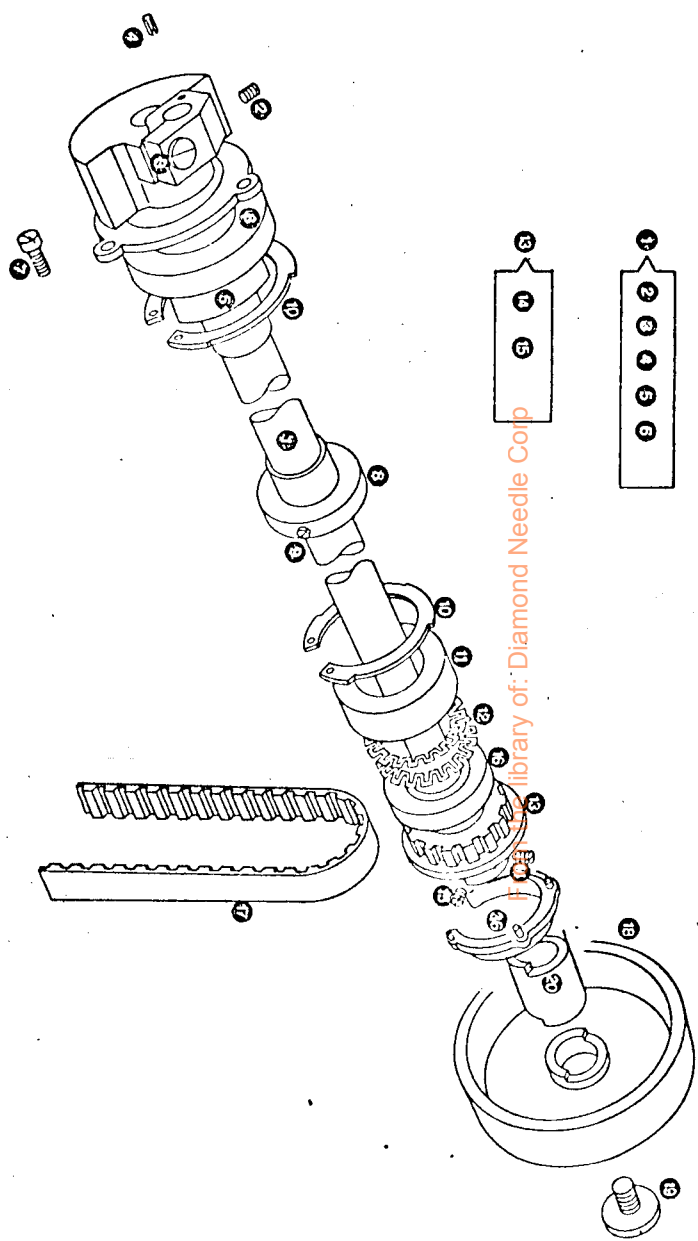
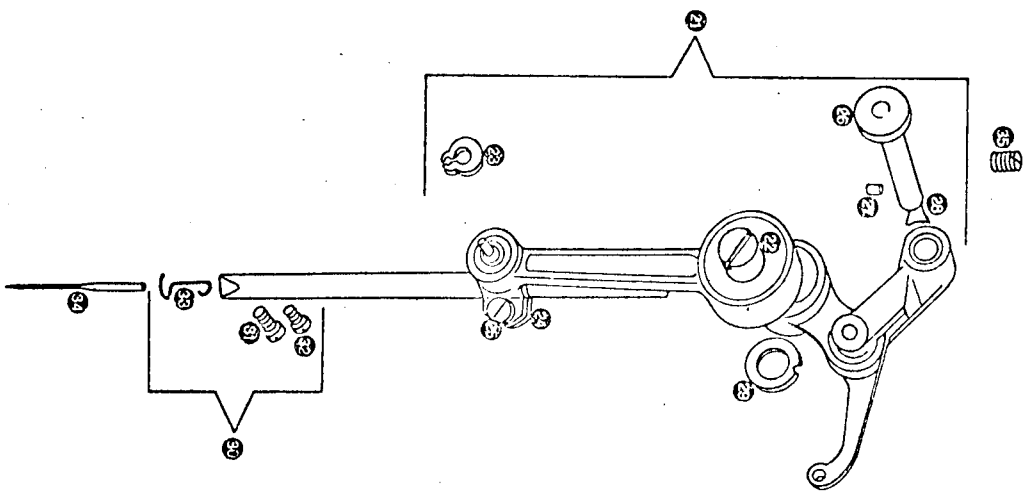
dlOC elpeenI puoweiQ :fo Aivraqll ehJ woJ F



From the library of: Diamond Needle Corp

1.4 Presser Bar Mechanism - Stoffdrückeinrichtung

III. Ref. No.	Part Number	Description	
1	0-513 114-000	Thread Regulator	Fadenregulator
2	0-500 465-821	Thumb Screw	Stellschraube
3	0-513 027-000	Presser Bar Lifting Cam cpl. (Ref. No. 4)	Lüfterkurve kpl.
4	0-141 083-833	Set Screw	Gewindestift
5	0-513 028-000	Presser Bar Lifting Lever cpl. (Ref. No. 5)	Lüfterhebel kpl.
6	0-141 083-833	Set Screw	Gewindestift
7	0-513 029-000	Shaft	Welle
8	0-513 030-000	Presser Bar cpl.	Stoffdrückerstange
9	0-512 652-000	Presser Bar Guide cpl. (Ref. No. 10)	Ausgleichsstück kpl.
10	0-512 034-000	Grooved Pin	Paßkerbstift
11	0-512 651-000	Pressure Spring	Druckfeder
12	0-512 650-000	Pressure Bar Guide	Führung
13	0-000 136-850	Screw (Cylinder Head)	Zylinderschraube
14	0-512 665-000	Leaf Spring	Blattfeder
15	0-513 026-000	Bushing	Buchse
16	0-513 084-000	Presser Bar Bushing	Stoffdrücker- stangenbuchse



- 1
- 2
- 3
- 4
- 5
- 6
- 7
- 8
- 9
- 10

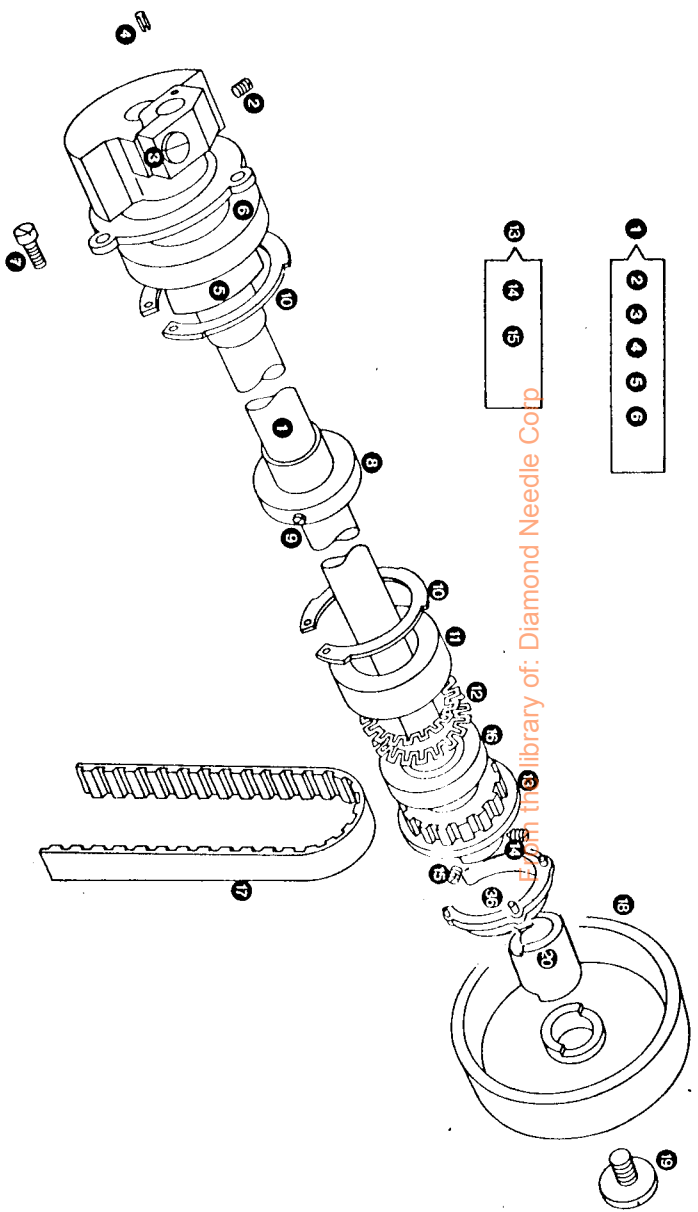
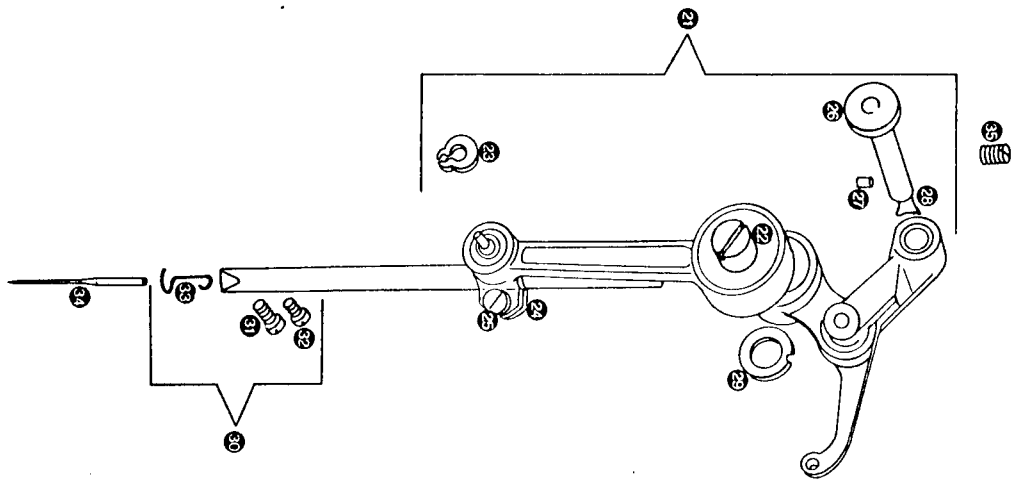
- 11
- 12
- 13
- 14
- 15
- 16
- 17
- 18
- 19
- 20

Library of: Diamond Needle Corp

1.3 Needle Bar and Take-up Mechanism - Nadel und Fadengeberantrieb

III. Ref. No. Part Number **alpeen** Description **brarqll eqh wroJ**

1	0-512 756-000	Needle Bar Frame cpl. (Ref.No. 2-4)	Nadelstangenrahmen kpl.
2	0-512 772-000	Oil Pad	Ölfilz
3	0-512 773-000	Oil Felt	Filzhalter
4	0-512 774-000	Oil Felt	Filzhalter
5	0-000 449-833	Set Screw	Gewindestift
6	0-513 373-000	Stop Plate	Arretierlasche
7	0-513 148-000	Oil Tube cpl. (Ref.No. 8)	Ölrohr kpl.
8	0-513 149-000	Oil Tube Wick	Öldocht
9	0-050 150-833	Set Screw	Gewindestift
10	0-000 742-850	Oval Head Screw	Linsensenkschraube
11	0-000 704-850	Screw (Cylinder Head) (4)	Zylinderschraube
12	0-500 438-833	Set Screw	Gewindestift



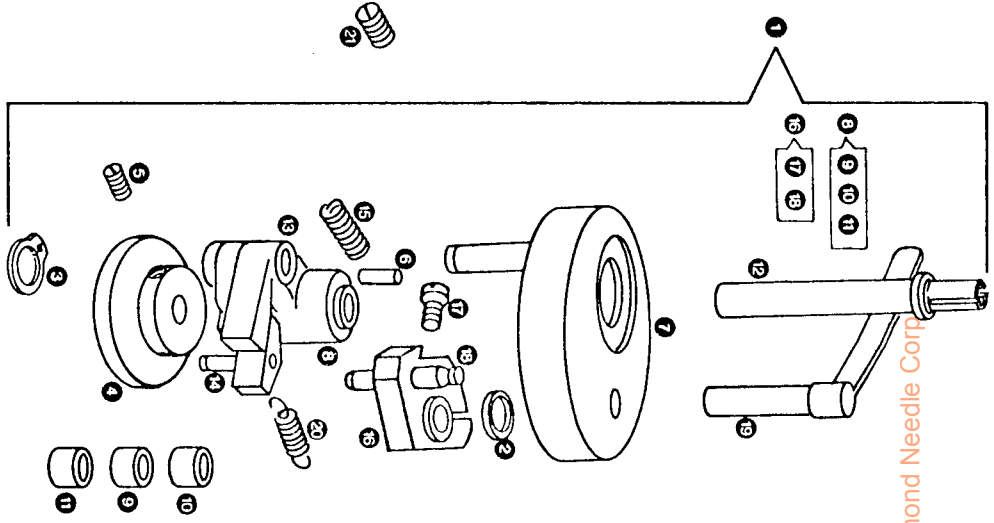
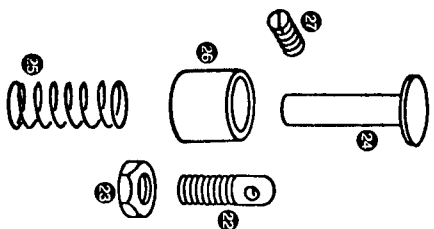
From the library of: Diamond Needle Cotop

Ill. Ref. No.	Part Number	Description	
27	0-512 753-000	Oil Pad (4)	Öfilz
28	0-512 752-000	Oil Tube Wick	Öldocht
29	0-512 754-000	Thrust Washer	Anlaufscheibe
30	0-513 087-000	Needle Bar cpl. (Ref. No.30-32)	Nadelstange kpl.
31	0-000 223-850	Screw (Fillister Head)	Linsenschraube
32	0-000 665-850	Screw (Cylinder Head)	Zylinderschraube
33	0-513 088-000	Needle Bar Thread Guide	Fadenführung
34	0-001 955-141	Needle	Nadel
35	0-500 438-833	Set Screw	Gewindestift
36	0-513 354-000	Thread Guarde	Fadenschutz

1.3 Needle Bar and Take-up Mechanism - Nadel- und Fadengeberantrieb

Ill. Ref. No.	Part Number	Description	
1	0-512 636-000	Arm Shaft cpl. (Ref. No. 2-6)	Armwelle kpl.
2	0-140 702-833	Set Screw	Gewindestift
3	0-500 436-850	Screw (Cylinder Head)	Zylinderschraube
4	0-512 032-000	Spring Dowel Sleeve	Spannhülse schwer
5	0-512 116-000	Ball Bearing	Rillenkugellager
6	0-512 637-000	Silencer	Schutzgehäuse
7	0-000 704-805	Screw (Cylinder Head) (4)	Zylinderschraube
8	0-512 739-000	Friction Wheel (Ref. No. 9)	Reibrad
9	0-500 315-833	Set Screw (2)	Gewindestift
10	0-512 639-000	Retaining Ring (2)	Seegering
11	0-512 638-000	Shock Absorber	Dämpfungsschale
12	0-512 640-000	Disc Spring (2)	Sternfeder
13	0-512 641-000	Belt Pulley cpl. (Ref. No. 14 - 15)	Gurtrad kpl.
14	0-000 443-833	Set Screw	Gewindestift
15	0-500 426-833	Set Screw	Gewindestift
16	0-512 116-000	Ball Bearing	Rillenkugellager
17	0-512 644-000	Arm Shaft Conn. Belt	Zahnflachriemen
18	0-512 833-000	Pulley	Handrad
19	0-511 531-880	Screw (Fillister Head)	Linsenschraube
20	0-512 834-000	Sleeve	Hülse
21	0-513 101-000	Thread Take Up Mechanism (Ref. No. 22-24, 26, 28)	Fadenhebel und Nadel stangentrieb
22	0-500 460-850	Screw (Cylinder Head)	Zylinderschraube
23	0-512 750-000	Retaining Ring	Seegering
24	0-513 078-000	Connecting Stud cpl. (Ref. No. 25)	Kreuzkopf kpl.
25	0-500 251-850	Screw (Fillister Head)	Linsenschraube
26	0-512 751-000	Thread Take-up Lever Link Hinge Stud cpl. (Ref. No. 27)	Lenkerbolzen kpl.

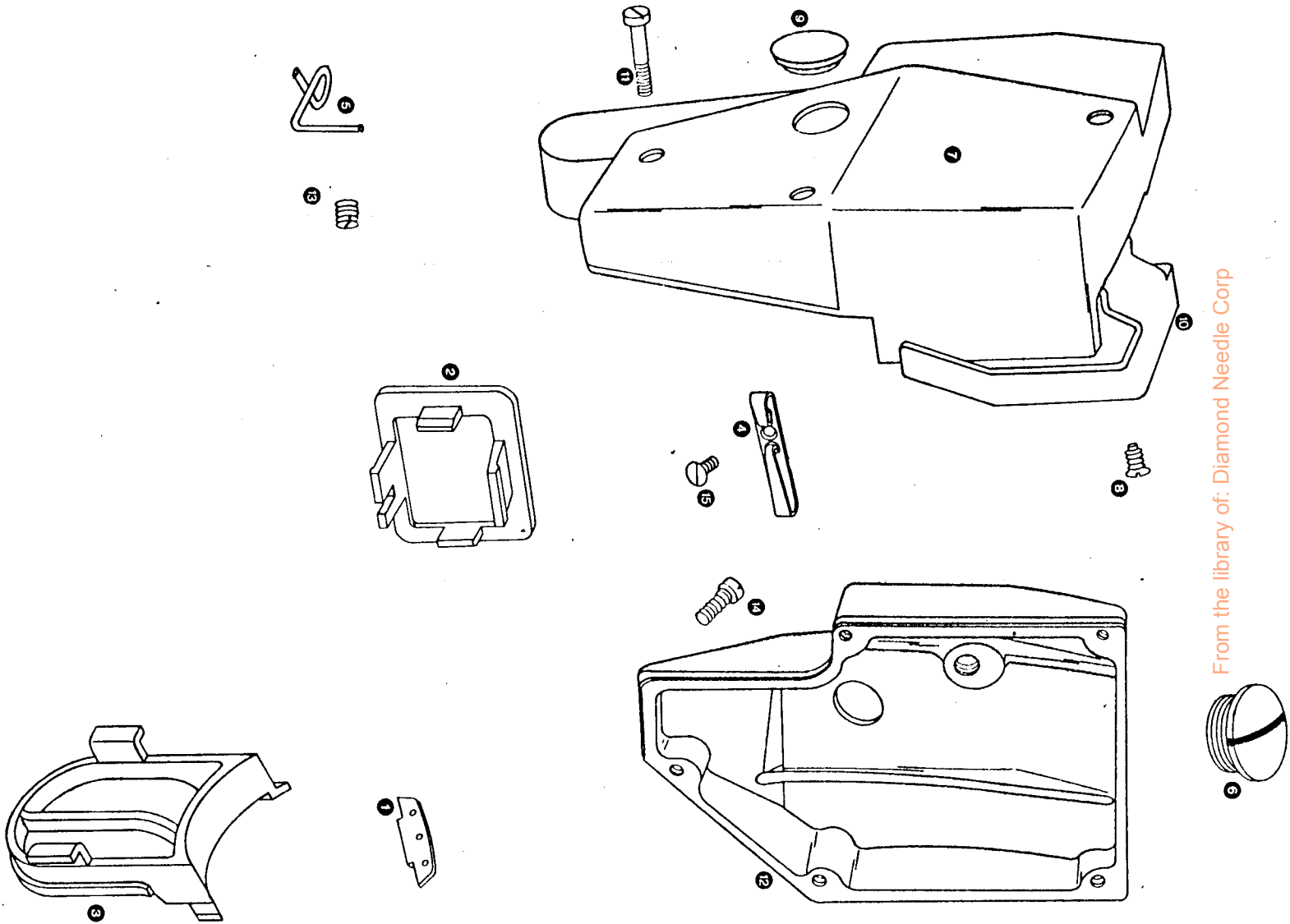
From the Needle Assembly



From the library of: Diamond Needle Corp.

1.2 Built-in Bobbin Winder - Einbau-Spüler

Ill. Ref. No.	Part Number	Description	
1	0-512 728-000	Bobbin cpl. (Ref. No. 2-4, 6-8, 12-13, 15, 19, 21)	Spüler kpl.
2	0-032 830-000	Washer	Scheibe
3	0-502 802-000	Retaining Ring	Sicherungsring
4	0-508 551-000	Friction Wheel (Ref. No. 5)	Reibrad
5	0-050 429-833	Set Screw (2)	Gewindestift
6	0-512 047-000	Grooved Pin	Steckerbstift
7	0-512 729-000	Bobbin Plate	Spülerplatte
8	0-512 730-000	Bobbin Arm cpl. (Ref. No. 9-11)	Spülerarm kpl.
9	0-508 549-000	Clutch	Kupplung
10	0-512 731-000	Bushing	Zylinderlager
11	0-512 732-000	Bushing	Zylinderlager
12	0-512 733-000	Bobbin Winder Shaft	Spülerwelle
13	0-512 734-000	Lever cpl. (Ref. No. 14)	Anlagehebel kpl.
14	0-512 048-000	Grooved Pin	Paßkerbstift
15	0-512 735-000	Pressure Spring	Druckfeder
16	0-512 736-000	Positioning Bracket cpl. (Ref. No. 17-18)	Segment kpl.
17	0-050 073-803	Screw (Fillister Head)	Linsenschraube
18	0-512 049-000	Grooved Pin	Paßkerbstift
19	0-512 737-000	Lever cpl. (Ref. No. 20)	Hebel kpl.
20	0-512 738-000	Tension Spring	Zugfeder
21	0-500 296-000	Set Screw	Gewindestift
22	0-512 938-000	Thread Guide (2)	Fadenführung
23	0-001 520-850	Hexagon Nut (2)	Sechskantnutter
24	0-508 563-000	Tension Bracket Stud	Fadenspannungsbolzen
25	0-508 564-000	Pressure Spring	Druckfeder
26	0-508 565-000	Cup Spring	Federteller
27	0-500 438-833	Set Screw	Gewindestift

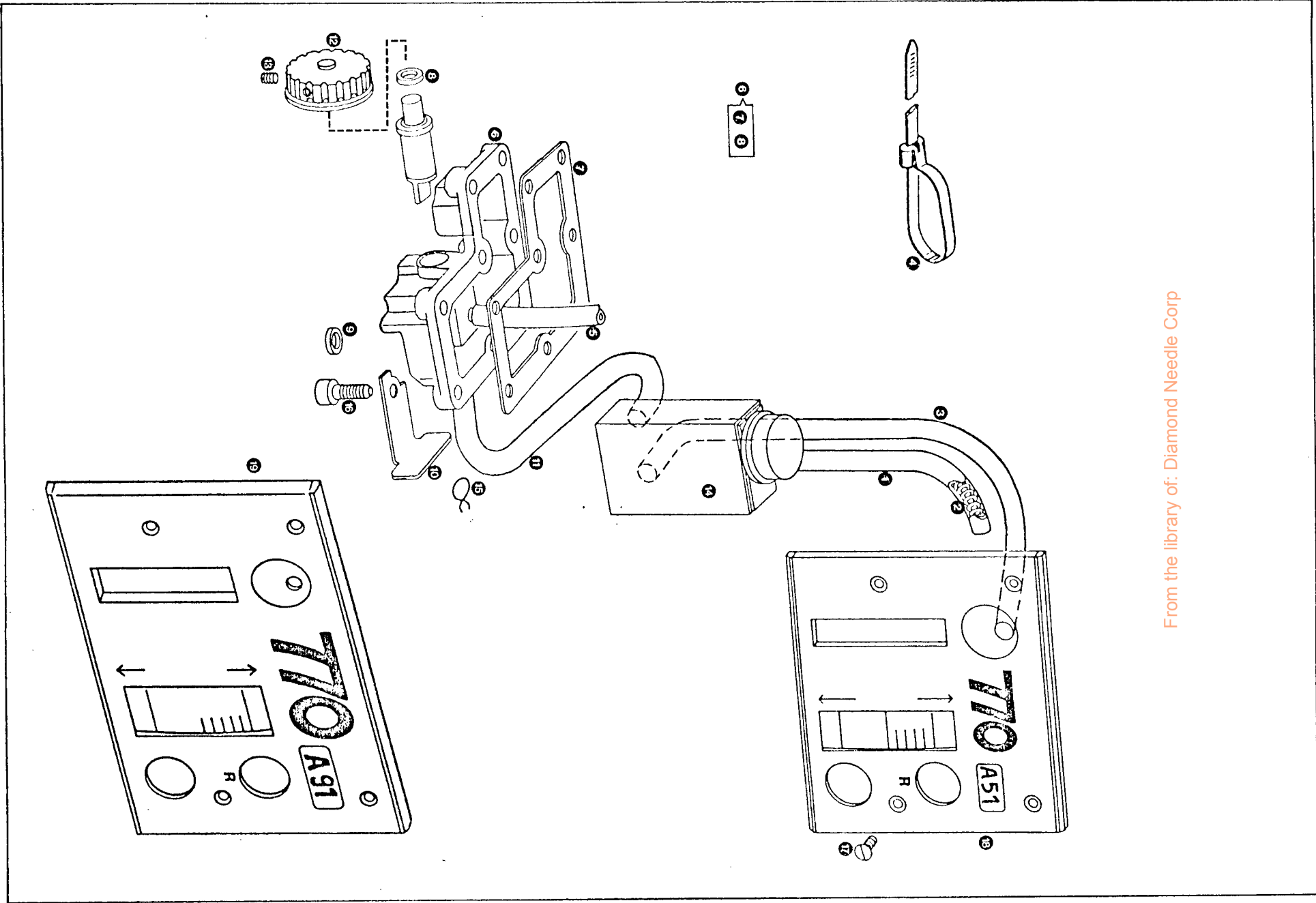


From the library of: Diamond Needle Corp

1.1 Sewing Machine Casting - Maschinengehäuse

Ill. Ref. No.	Part Number	Description	
1	0-512 701-000	Thread Guard (2)	Fadenführungsblech
2	0-513 219-000	Cover (2)	Verschlußkappe
3	0-512 894-000	Cover For 770A51 only	Verschlußkappe Nur für 770A51
4	0-512 698-000	Thread Guide	Fadenführung
5	0-512 699-000	Thread Guide Bracket	Fadenführungsbügel
6	0-500 423-821	Screw (Fillister Head)	Linsenschraube
7	0-513 059-000	Face Plate cpl. (Ref.No. 8-10)	Kopfdeckel kpl.
8	0-000 691-833	Screw Fillister Head (Countersunk (2))	Linsensenkschraube
9	0-512 946-000	Cover (2)	Verschlußkappe
10	0-513 115-000	Thread Take Up Guard	Fadengeberschutz
11	0-000 122-850	Screw (Fillister Head) (3)	Linsenschraube
12	0-513 058-000	Motor Housing Cover	Gehäusedeckel
13	0-000 624-833	Set Screw	Gewindestift
14	0-500 435-000	Screw (Fillister Head)	Linsensenkschraube

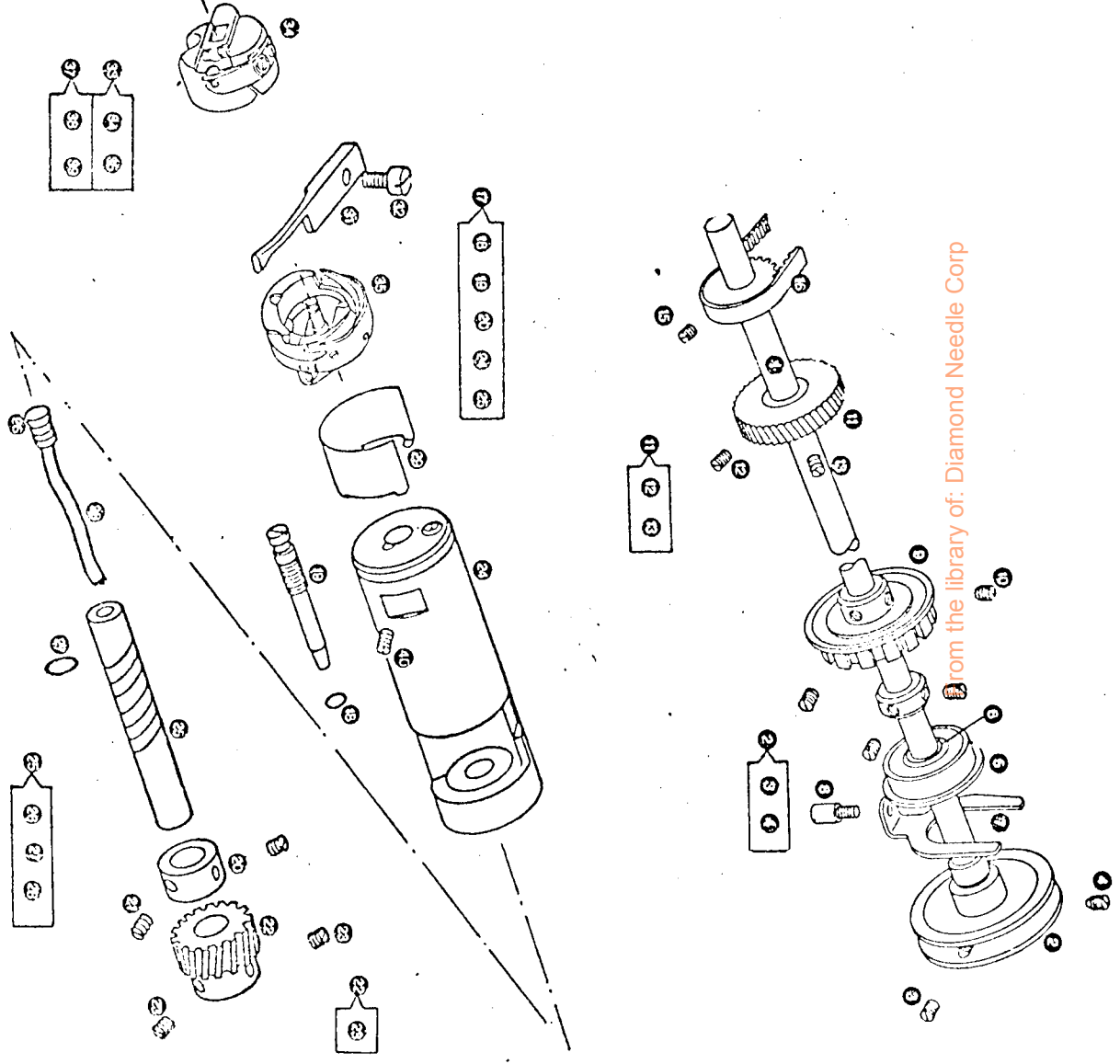
Refer to [Fittings-Catalogue](#) of [mybrill.eu](#) [See](#) [Fittings-Katalog](#)



From the library of: Diamond Needle Corp

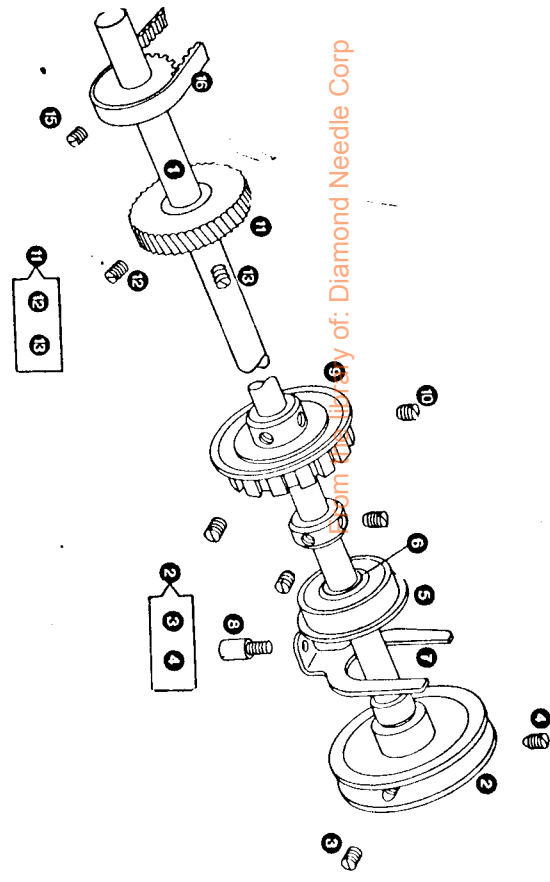
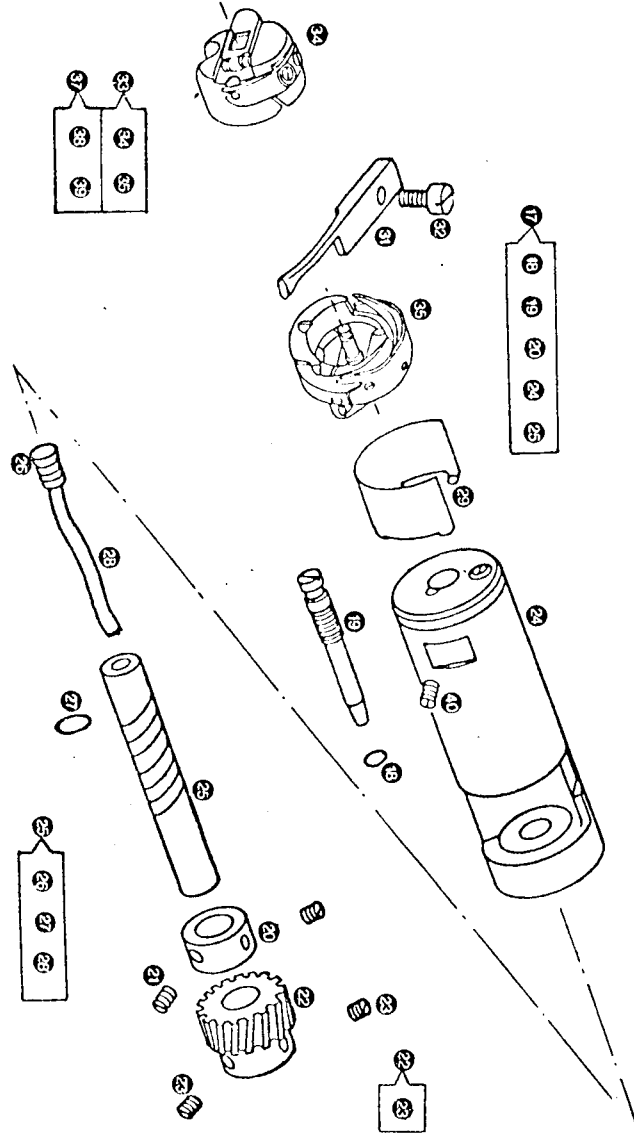
1.13 Lubricating System - Schmierreinrichtung

Ill. Ref. No.	Part Number	Description	
1	0-512 713-000	Plastic Tube (Ref. No. 2)	Schlauch
2	0-512 943-000	Pressure Spring	Druckfeder
3	0-513 083-000	Ventilating Tube	Schlauch
4	0-603 292-000	Cable Strap	Kabelbauch
5	0-512 722-000	Oil Pipe	Ölschlauch
6	0-512 714-000	Cover cpl. (Ref. No. 7-9)	Deckel kpl.
7	0-512 711-000	Gasket	Dichtung
8	0-513 117-000	Oil Retainer Ring	Dichtring
9	0-502 907-000	Sealing Ring (8)	Dichtring
10	0-512 944-000	Distance Tin	Abstandsblech
11	0-512 712-000	Plastic Tube	Schlauch
12	0-512 716-000	Belt Pulley cpl. (Ref. No. 14)	Gurtrad kpl.
13	0-000 624-833	Set Screw (2)	Gewindestift
14	0-512 702-000	Oil Sight Prisma cpl.	Schauprisma
15	0-512 895-000	Hose Clip (4)	Schlauchklemme
16	0-500 440-850	Screw (Cylinder Head) (8)	Zylinderschraube
17	0-500 429-821	Oval Head Screw (4)	Linsensenkschraube
18	0-513 091-000	M/C Cl. Indicator Plate For 770A51 only	Armdeckel kpl. Nur für 770A51
19	0-513 092-000	M/C Cl. Indicator Plate For 770A91 only	Armdeckel kpl. Nur für 770A91



from the library of: Diamond Needle Corp

Ill. Ref. No.	Part Number	Description	
29	0-512 800-000	Guard	Spritzblech
31	0-513 30410000 0-000 0000 0-000 0000 0-000 0000	Bobbin Case Bobbin Case Bobbin Case Bobbin Case For 770A51 only	Kapselanhaltesteg Nur für 770A51
32	0-000 161-850	Screw (Fillister Head)	Linsenschraube
33	0-545 991-000	Hook with Bobbin Case (Ref. No. 34-35) For 770A51 only	Greifer mit Spulenkapssel Nur für 770A51
34	0-505 358-000	Bobbin Case	Spulenkapssel
35	0-545 990-000	Hook and Bobbin Case Base	Greifer mit Spulen- kapsselträger
36	0-512 710-000	Bobbin Case Stopping Finger For 770 A91 only	Kapselanhaltesteg Nur für 770 A91
37	0-513 265-000	Hook with Bobbin Case (Ref. N No. =38-39) For 770 A 91 only	Greifer mit Spulenkapssel
38	0-513 267-000	Bobbin Case For 770 A 91 only	Spulenkapssel
39	0-513 170-000	Hook and Bobbin Case Base For 770 A 91 only	Greifer mit Spulen- kapsselträger
40	0-000 448-833	Set Screw	Gewindestift

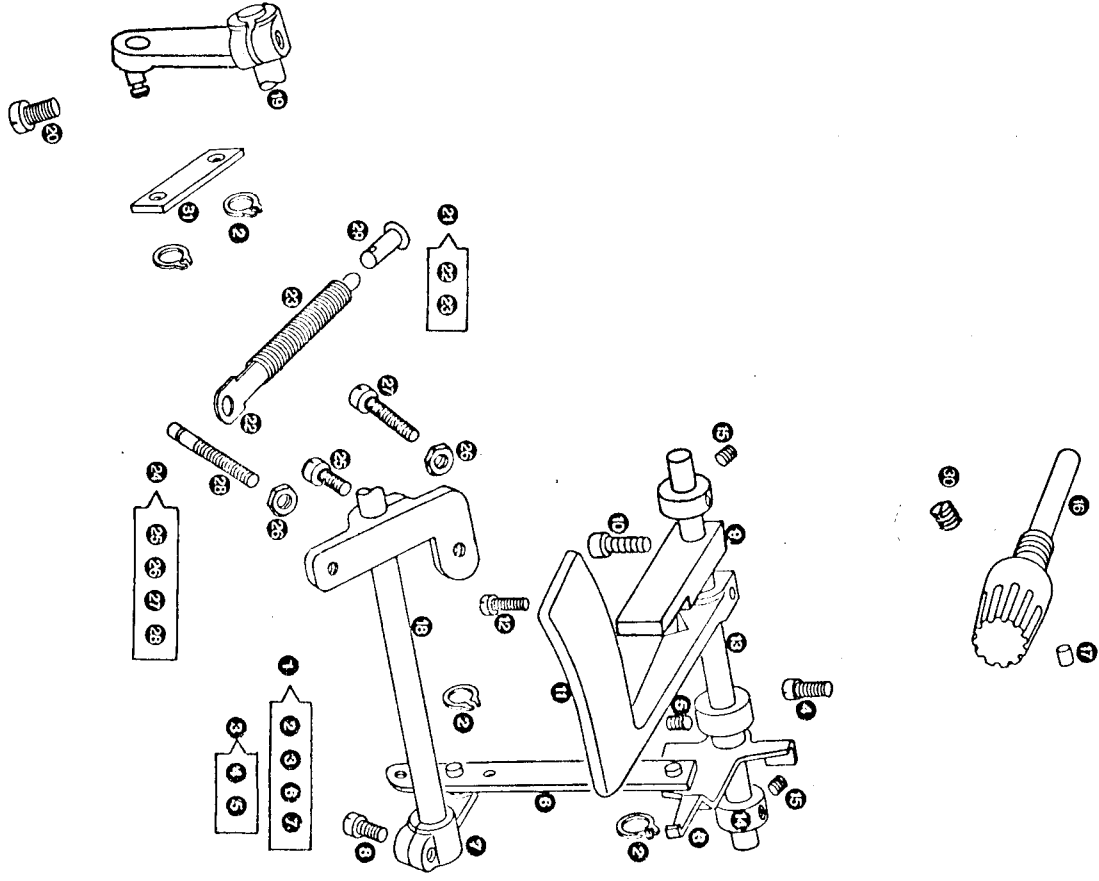


Copyright © 1985 of: Diamond Needle Corp

1.12

Hook and Hook Drive - Greifer und Greiferantrieb

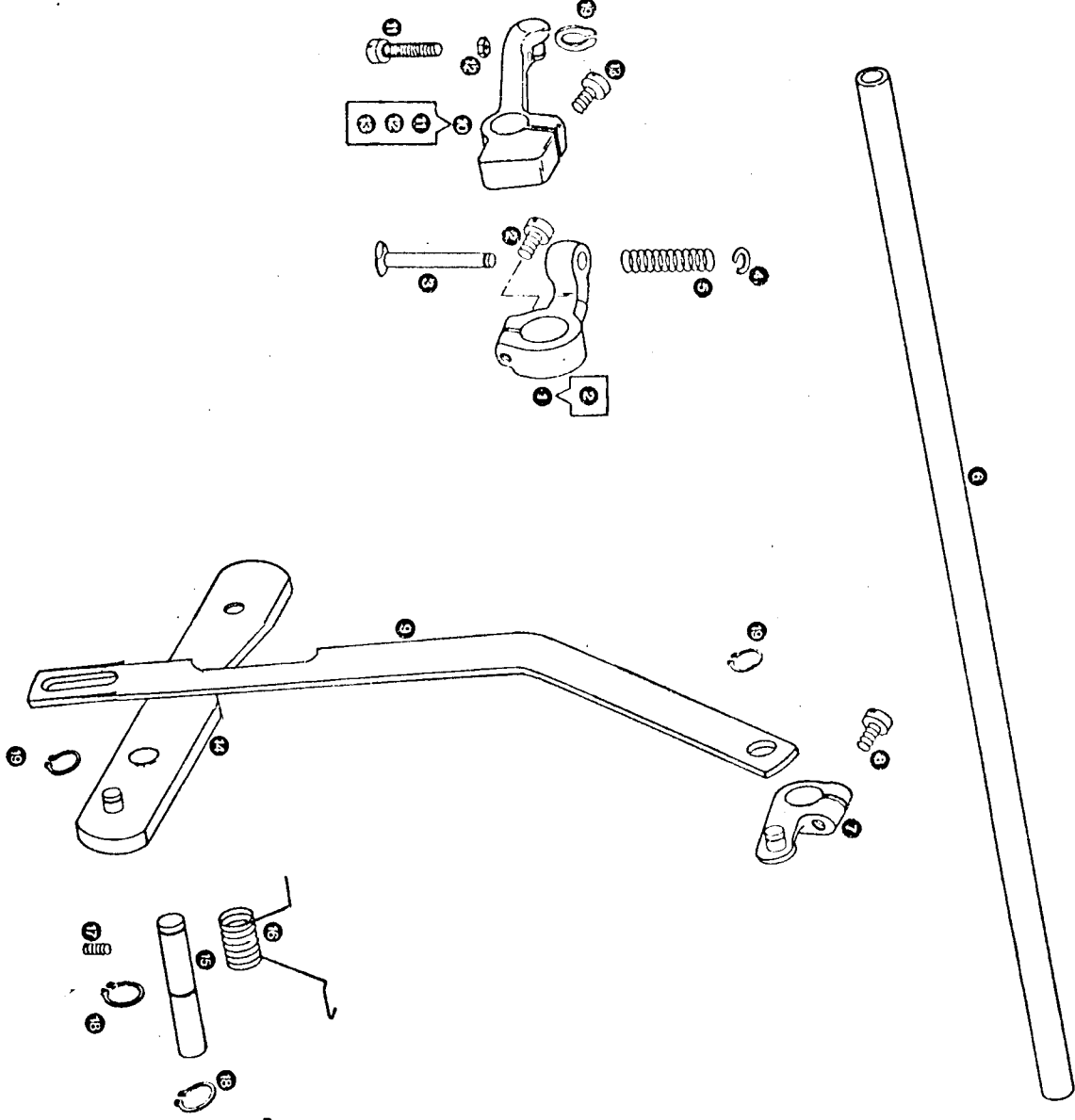
III. Ref.No.	Part Number	Description	
1	0-512 677-000	Main Shaft	Hauptwelle
2	0-513 388-000	Pulley cpl. (Ref. No. 3-4)	Riemenscheibe kpl.
3	0-000 448-833	Set Screw	Gewindestift
4	0-000 453-833	Set Screw	Gewindestift
5	0-244 713-000	Ball Bearing	Rillenkugellager
6	0-513 389-000	Retaining Ring	Seegering
7	0-512 914-000	Bearing Retaining Clip	Sicherung
8	0-500 439-850	Pivot Screw	Zapfenschraube
9	0-512 647-000	Belt Pulley cpl. (Ref. No. 10)	Gurtrad kpl.
10	0-000 448-833	Set Screw (2)	Gewindestift
11	0-512 679-000	Gear cpl. (Ref. No. 12-13)	Zahnrad kpl.
12	0-000 448-833	Set Screw	Gewindestift
13	0-500 426-833	Set Screw	Gewindestift
15	0-000 624-833	Set Screw (2)	Gewindestift
16	0-512 682-000	Arm Shaft Cam Belt	Zahnflachriemen
17	0-513 293-000	Hook Shaft Bushing with Shaft (Ref. No. 18, 20, 19, 24, 25)	Greiferwellenlager mit Welle
18	0-271 808-000	Sealing Ring	Dichtring
19	0-500 402-805	Screw	Schraube
20	0-512 724-000	Collar cpl. (Ref. No. 21)	Stellring kpl.
21	0-000 453-833	Set Screw (2)	Gewindestift
22	0-512 725-000	Gear cpl. (Ref. No. 23)	Ritzel kpl.
23	0-000 448-833	Set Screw (2)	Gewindestift
24	0-513 290-000	Hook Shaft Bushing cpl.	Greiferwellenlager
25	0-513 291-000	Hook Shaft cpl.	Greiferwelle kpl.
26	0-143 349-001	Wick Holder	Dochthalter
27	0-271 808-000	Sealing Ring	Richtring
28	0-513 292-000	Oil Wick	Öldocht



From the library of: Diamond Needle Corp

1.11 Stitch Regulating Mechanism (lower) - Stichverstellung (unten)

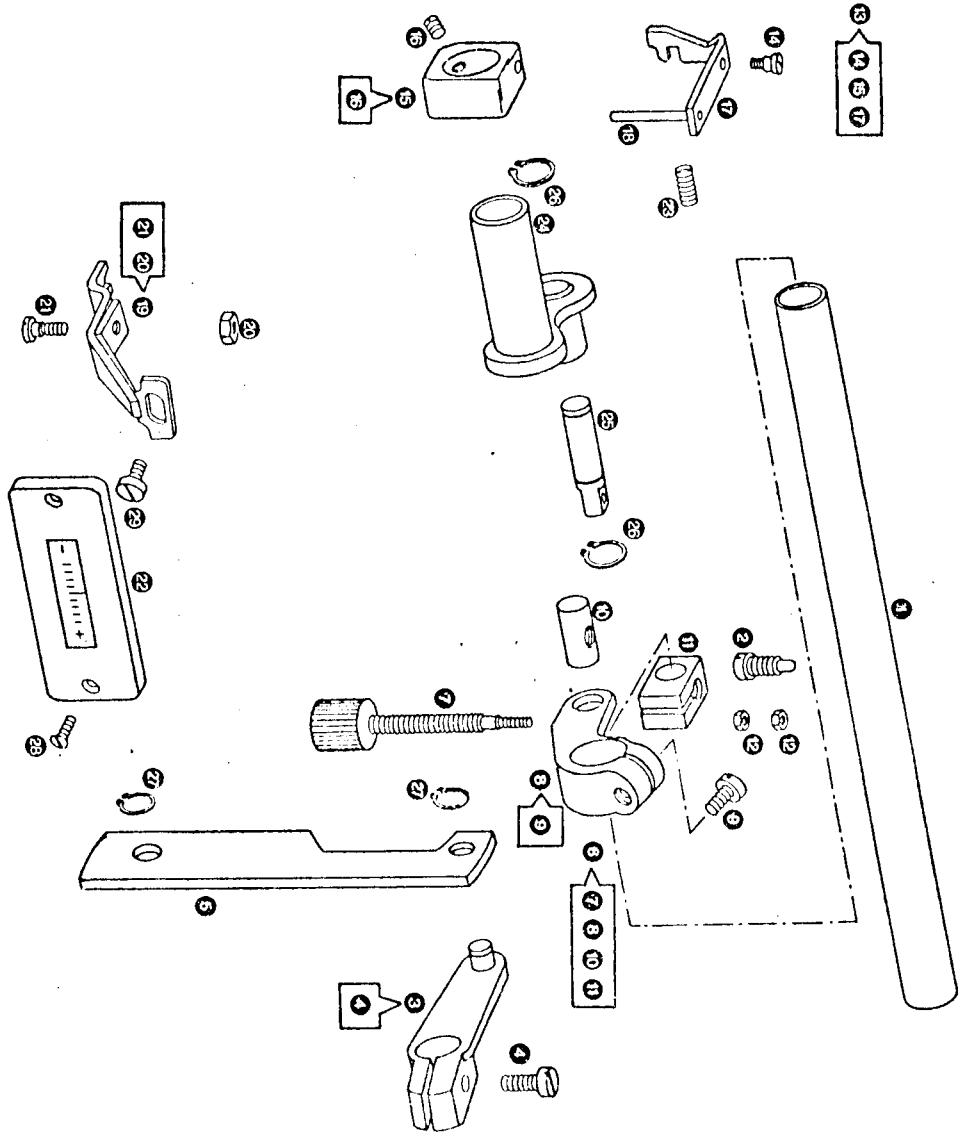
Ill. Ref. No.	Part Number	Description	
1	0-513 053-000	Lever cpl. (Ref. No. 2-3, 6-7)	Einstellhebel kpl.
2	0-502 802-000	Retaining Ring	Sicherungsring
3	0-512 666-000	Lever cpl. (Ref. No. 4-5)	Einstellhebel kpl.
4	0-000 129-850	Screw (Phillister Head)	Linsenschraube
5	0-500 426-833	Set Screw	Gewindestift
6	0-512 667-000	Connecting Link	Lasche
7	0-512 668-000	Crank cpl. (Ref. No. 8)	Kurbel kpl.
8	0-001 149-850	Screw (Cylinder Head)	Zylinderschraube
9	0-513 056-000	Crank cpl. (Ref. No. 10)	Kurbel kpl.
10	0-350 711-869	Screw (Cylinder Head)	Zylinderschraube
11	0-512 669-000	Actuating Lever cpl. (Ref. No. 12)	Schalthebel kpl.
12	0-350 725-869	Hexagon Socket Head Screw	Zylinderschraube (Innensechskant)
13	0-512 670-000	Shaft	Welle
14	0-263 469-000	Collar (2)	Stellring
15	0-200 378-850	Set Screw	Gewindestift
16	0-500 399-821	Thumb Screw (2)	Stellschraube
17	0-512 671-000	Presser Pin (2)	Druckstück
18	0-512 672-000	Shaft	Stellwelle
19	0-512 673-000	Crank cpl. (Ref. No. 20)	Kurbel kpl.
20	0-001 149-850	Screw (Cylinder Head)	Zylinderschraube
21	0-513 042-000	Tension Spring cpl. (Ref. No. 22-23)	Zugfeder kpl.
22	0-502 931-000	Eye	Öse
23	0-513 032-000	Tension Spring	Zugfeder
24	0-512 675-000	Stop cpl. (Ref. No. 25-28)	Anschlag kpl.
25	0-000 690-850	Screw (Phillister Head)	Linsenschraube
26	0-051 775-850	Hexagon Nut (2)	Sechskantmutter
27	0-500 367-850	Screw (Cylinder Head)	Zylinderschraube
28	0-500 400-850	Shoulder Screw	Schafschraube
29	0-512 707-000	Screw (Spring Hook up)	Federeinhänge schraube
30	0-500 438-833	Set Screw	Gewindestift
31	0-512 674-000	Link	Lasche
32	0-502 802-000	Retaining Ring	Sicherungsring



From the library of: Diamond Needle Corp

1.10 Stitch Regulating (upper) - Stichverstellung (oben)

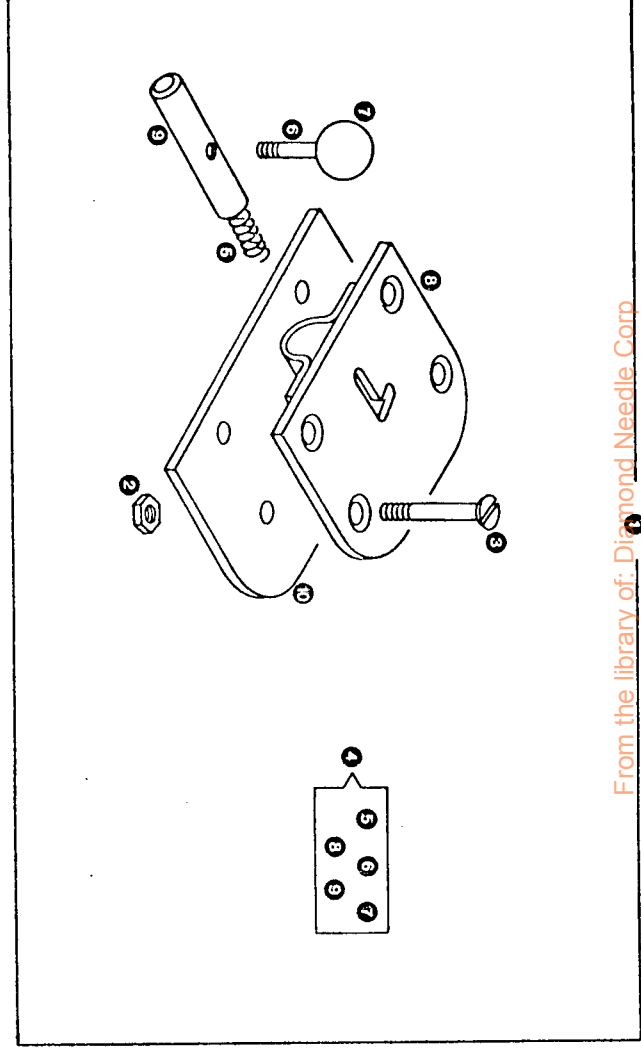
Ill. Ref. No.	Part Number	Description	
			From
			To
1	0-513 019-000	Crank cpl. (Ref.No. 2)	Klemmkurbel kpl.
2	0-500 440-850	Screw (Cylinder Head)	Zylinderschraube
3	0-513 020-000	Stud	Bolzen
4	0-507 563-000	Retaining Washer For 770A51 only	Sicherungsscheibe Nur für 770A51
5	0-513 021-000	Pressure Spring	Druckfeder
6	0-513 022-000	Hollow Shaft	Hohlwelle
7	0-513 023-000	Crank (Ref.No. 8)	Klemmkurbel kpl.
8	0-500 440-850	Screw (Cylinder Head)	Zylinderschraube
9	0-513 024-000	Switch Rod	Schaltstange
10	0-513 025-000	Act. Lever cpl.(Ref.No.11-13)	Schalthebel kpl.
11	0-000 132-850	Screw	Zylinderschraube
12	0-001 607-850	Hexagon Nut	Sechskantmutter
13	0-500 440-850	Screw (Cylinder Head)	Zylinderschraube
14	0-513 034-000	Double Lever	Doppelhebel
15	0-513 037-000	Stud	Bolzen
16	0-513 036-000	Leg Spring	Biegefeder
17	0-500 438-833	Set Screw	Gewindestift
18	0-502 958-000	Retaining Ring (2)	Sicherungsring
19	0-502 802-000	Retaining Ring (3)	Sicherungsring



From the library of: Diamond Needle Corp

4. Special Accessories - Sonderzubehör

III. Ref. No.	Part Number	Description	
1	0-107 724-000	Feed Dog	Stoffschieber
2	0-514 384-000	Thread Pre-Tension cpl. (Ref. No. 3)	Fadenvorspanner kpl.
3	0-002 102-000	Tension Disc (2)	Spannungsscheibe
4	0-032 830-000	Washer	Scheibe
5	0-051 775-850	Hexagon Nut	Sechskantmutter
6	0-201 572-850	Thumb Nut (2)	Rändelmutter
7	0-272 219-000	Taper Spring	Kegelfeder
8	0-514 385-000	Angle	Winkel
9	0-107 725-000	Throat Plate For 770A51 only	Stichplatte Nur für 770A51
10	0-150 668-000	Rubber Cushion For 770A51 only	Gummipolster Nur für 770A51
11	0-202 079-000	Washer (2) For 770A51 only	Filzscheibe Nur für 770A51
12	0-272 221-000	Thread Tension Wheel For 770A51 only	Fadenspannungsrag Nur für 770A51
13	0-500 454-833	Screw (2) For 770A51 only	Schraube Nur für 770A51
14	0-512 687-000	Roller Tension cpl. (Ref. No. 15-21, 23, 26-27) For 770A51 only	Rollfadenspannung kpl. Nur für 770A51
15	0-202 079-000	Washer (2)	Filzscheibe
16	0-223 438-000	Taper Spring	Kegelfeder
17	0-272 221-000	Thread Tension Wheel (2)	Fadenspannungsrad
18	0-500 800-821	Tension Regulating Stud	Stellmutter
19	0-502 663-000	Tension Check Spring	Fadenanzugsfeder
20	0-512 010-000	Washer	Scheibe
21	0-512 688-000	Tension Stud (Ref. No. 22)	Fadenspannungsbolzen
22	0-272 220-000	Disc	Anlagescheibe
23	0-512 689-000	Tension Housing cpl. (Ref. No 24-25)	Spannungsgehäuse kpl.



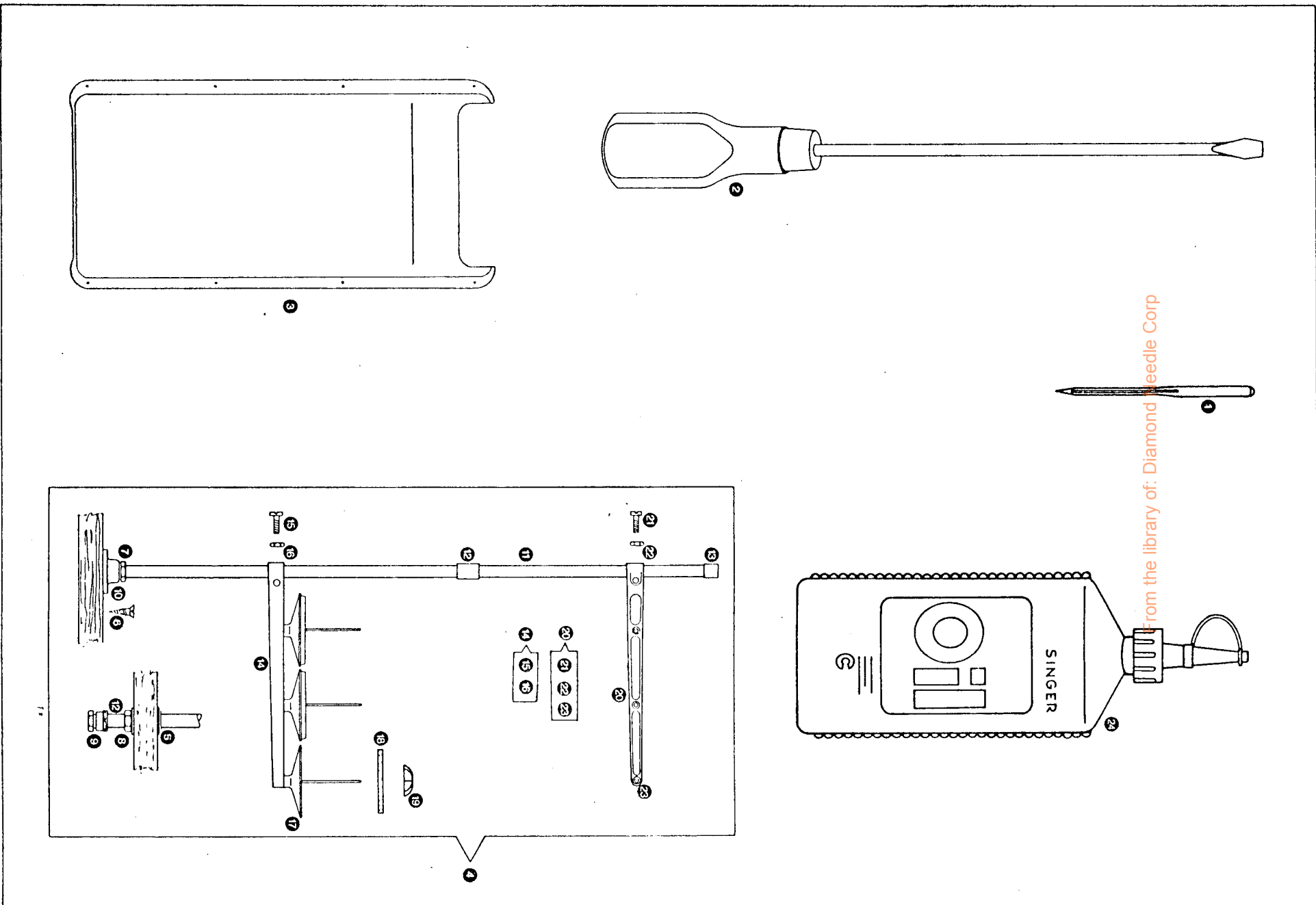
From the library of: [Diamond Needle Corp](#)

2. Accessories - Zubehör

III. Ref. No.	Part Number	Description
---------------	-------------	-------------

From the original drawing

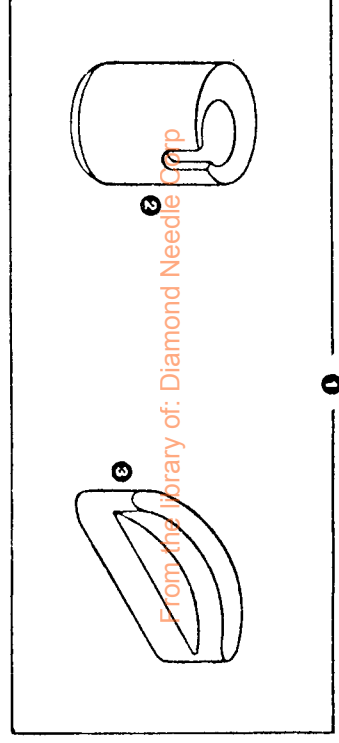
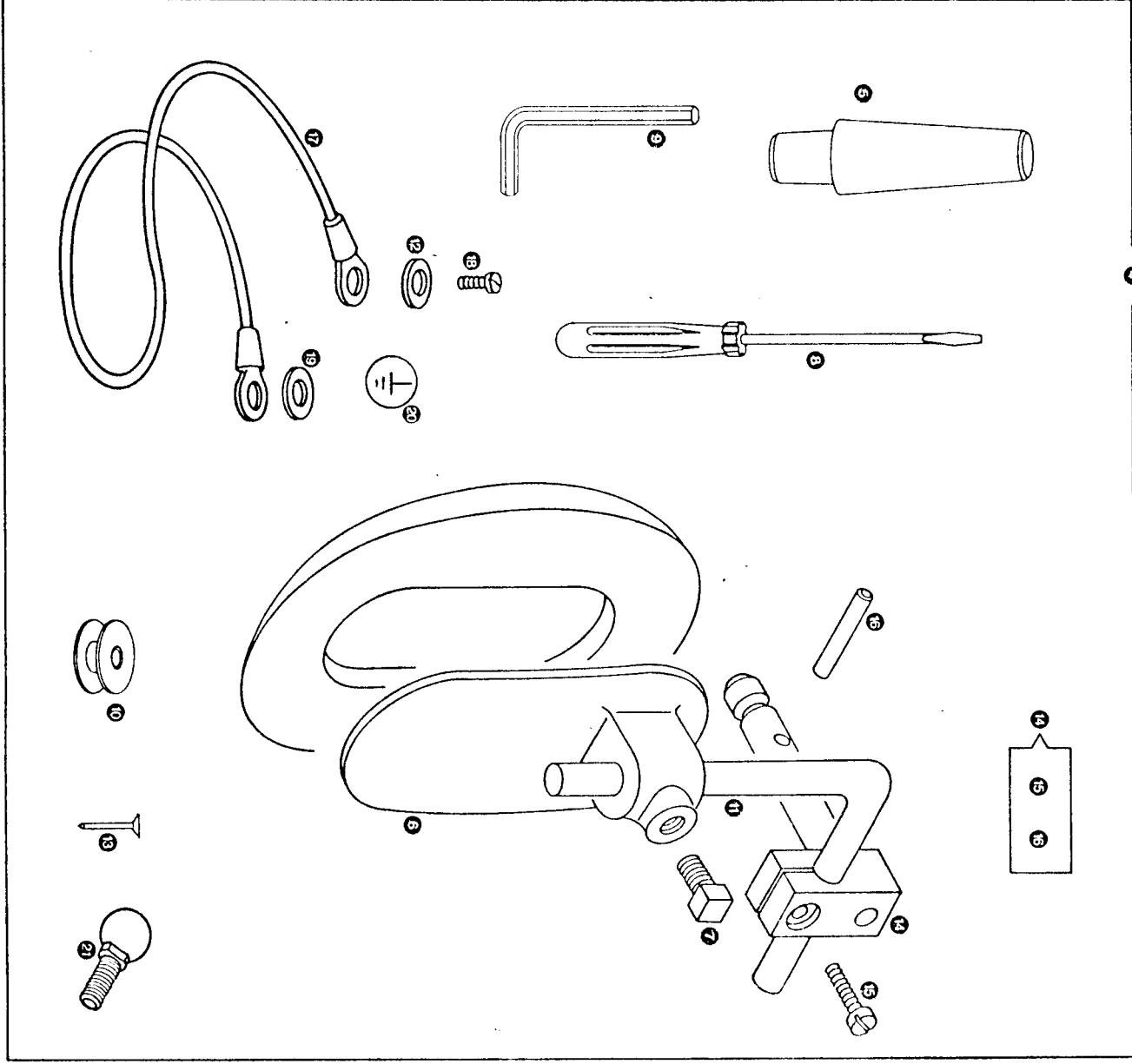
1	6-000 040-700	Accessory Pack (Ref. No. 2-4, 10)	Beipack
2	0-051 775-850	Hexagon Nut (4)	Sechskantmutter
3	0-500 447-850	Flat Head Screw (4)	Senkschraube
4	0-512 962-000	Latch cpl. (Ref. No. 5-9)	Riegel kpl.
5	0-263 738-000	Pressure Spring	Druckfeder
6	0-500 448-850	Stud	Stiftschraube
7	0-512 086-000	Ball Handle	Kugelknopf
8	0-512 963-000	Latch Guide cpl.	Riegelführung
9	0-512 964-000	Stud	Bolzen
10	0-512 965-000	Plate	Platte



From the library of: Diamond Needle Corp

2. Accessories - Zubehör

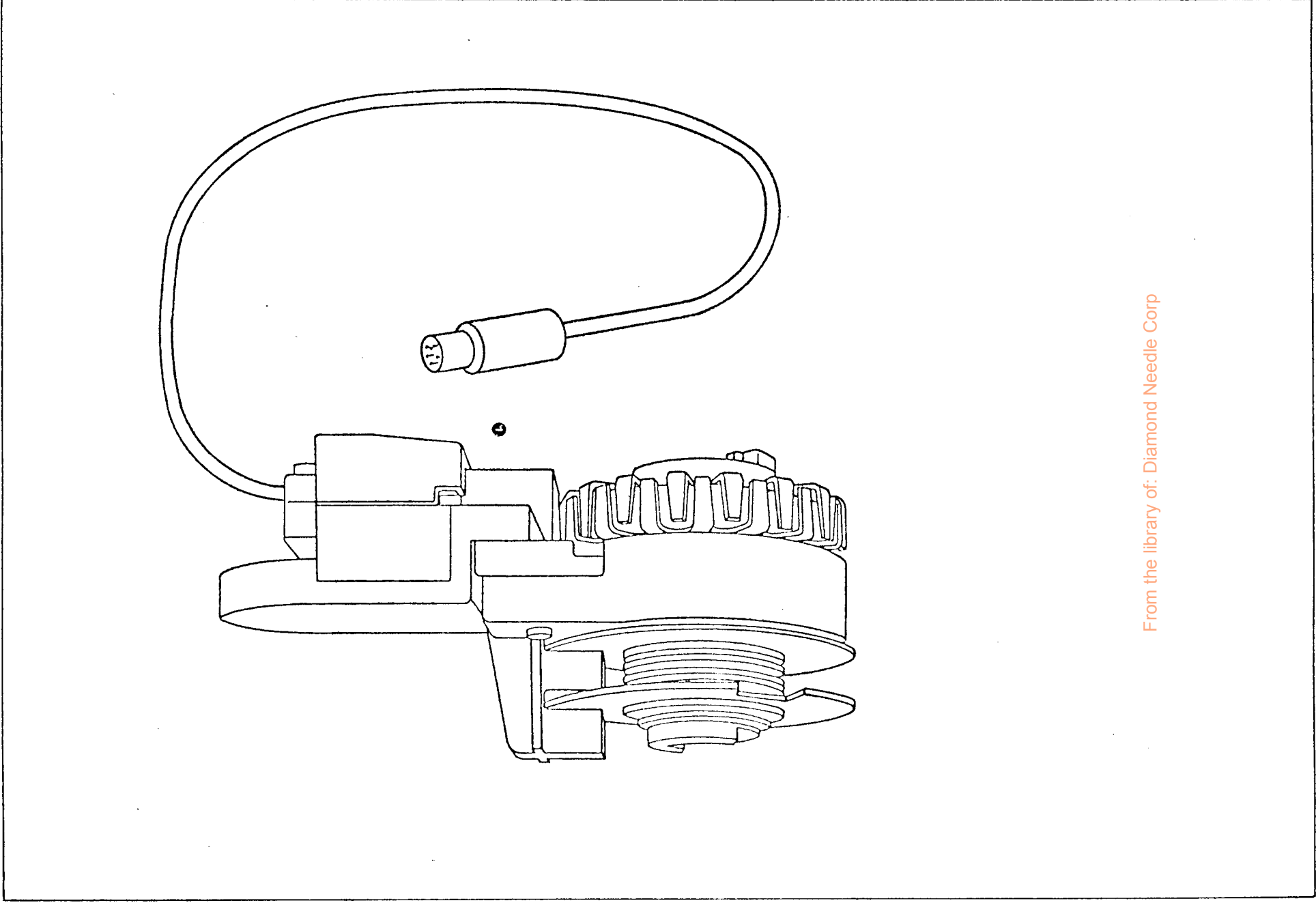
III. Ref. No.	Part Number	Description	
1	0-001 955-014	Box of Needles	Nadel-Päckchen
2	0-120 440-000	Screw Driver	Schraubenzieher
3	0-503 869-000	Drip Pan	Schmutzwanne
4	0-517 527-000	Thread Unwinder (Ref. No. 5-14, 17-20)	Garnrollenständer
5	0-263 471-000	Retaining Ring	Seegering
6	0-511 591-819	Wood Screw (3)	Holzschraube
7	0-511 908-850	Hexagon Nut	Sechskantmutter
8	0-512 093-000	Washer (2)	Scheibe
9	0-512 094-000	Screw	Verschraubung
10	0-517 528-000	Foot	Fuß
11	0-517 529-000	Thread Unwinder Base (2)	Fuß für Garnrollen-
12	0-517 530-000	Socket (2)	Muffe (ständer
13	0-517 531-000	Guard Cover	Schutzkappe
14	0-517 532-000	Bracket cpl. (Ref.No.15-16)	Träger kpl.
15	0-511 584-850	Screw (Cylinder Head)	Zylinderschraube
16	0-511 901-833	Hexagon Nut	Sechskantmutter
17	0-517 533-000	Cup (3)	Teller
18	0-517 534-000	Cushion (3)	Polster
19	0-517 535-000	Clamping Piece (3)	Klemmstück
20	0-517 536-000	Thread Guide cpl. (Ref. No. 21 - 23)	Fadenführung kpl.
21	0-511 584-850	Screw (Cylinder Head)	Zylinderschraube
22	0-511 901-333	Hexagon Nut	Sechskantmutter
23	0-517 537-000	Thread Guide Bushing (3)	Fadenführungsbuchse
24	0-517 603-000	Oil Container	Ölflasche



From the library of: Diamond Needle Corp

2. Accessories - Zubehör

Ill. Ref. No.	Part Number	Description	
1	6-000 013-700	Accessory Pack (Ref. No. 2-3)	Beipack
2	0-512 797-000	Rubber Hing (3)	Schwinglager
3	0-513 305-000	Machine Rest Pad	Gummiecke
4	6-000 036-700	Accessory Pack (Ref. No 5-6, 8-14, 17)	Beipack
5	0-225 491-000	Machine Rest Pin	Oberteilstütze
6	0-228 364-000	Knee Lever Knee Plate cpl. (Ref. No. 7)	Knieschuh kpl.
7	0-350 231-850	Square Head Screw	Vierkantschraube
8	0-228 476-000	Screw Driver	Schraubenzieher
9	0-239 353-000	Wrench	Schraubenschlüssel
10	0-272 152-000	Bobbin (2)	Spule
11	0-502 583-000	Knee Plate Rod	Knieplattenarm
12	0-512 021-000	Spring Washer	Federring
13	0-512 092-000	Nail (8)	Tapeziernagel
14	0-512 788-000	Clamping Piece cpl. (Ref. No. 15-16)	Klemmstück kpl.
15	0-140 377-850	Screw (Cylinder Head)	Zylinderschraube
16	0-512 054-000	Dowel Pin	Zylinderstift
17	0-603 271-000	Ground Connecting	Erdungsleitung
18	0-500 196-000	Screw (Cyl. Head)	Zylinderschraube
19	0-512 005-000	Washer	Scheibe
20	0-603 291-000	Grounding Symbol	Schutzerdungszeichen
21	0-500 452-000	Angle Joint (3)	Kugelzapfen



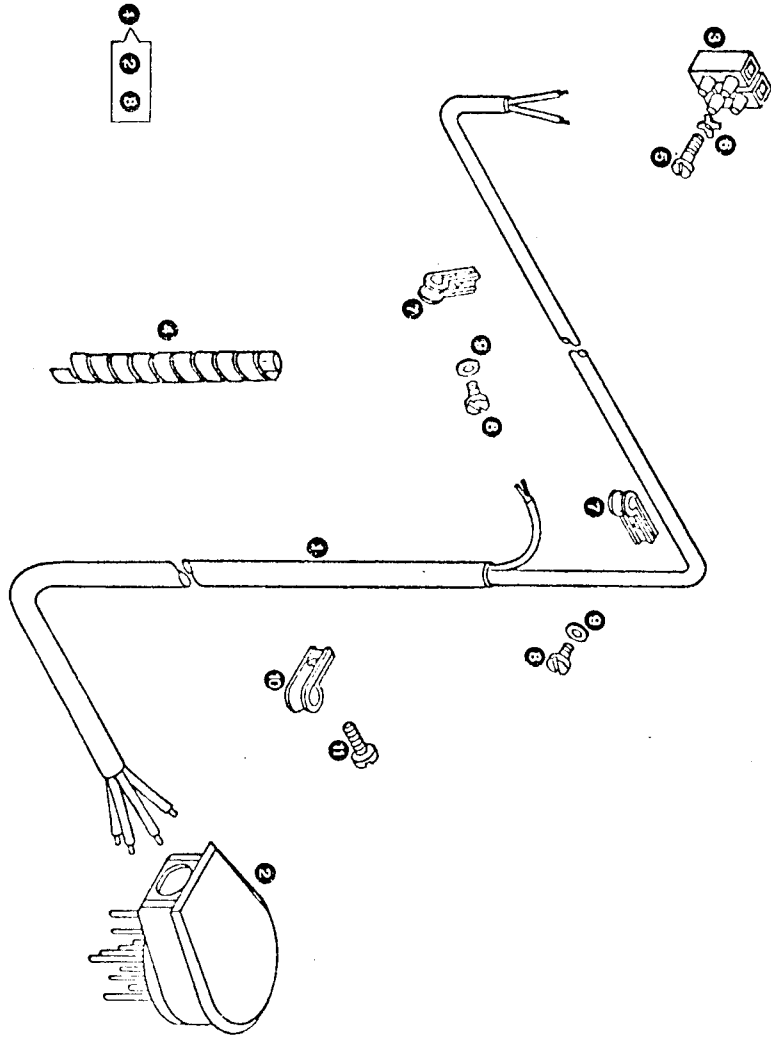
From the library of: Diamond Needle Corp

1. 19 Mechanical Positioning Device - Mechanische Positionseinrichtung

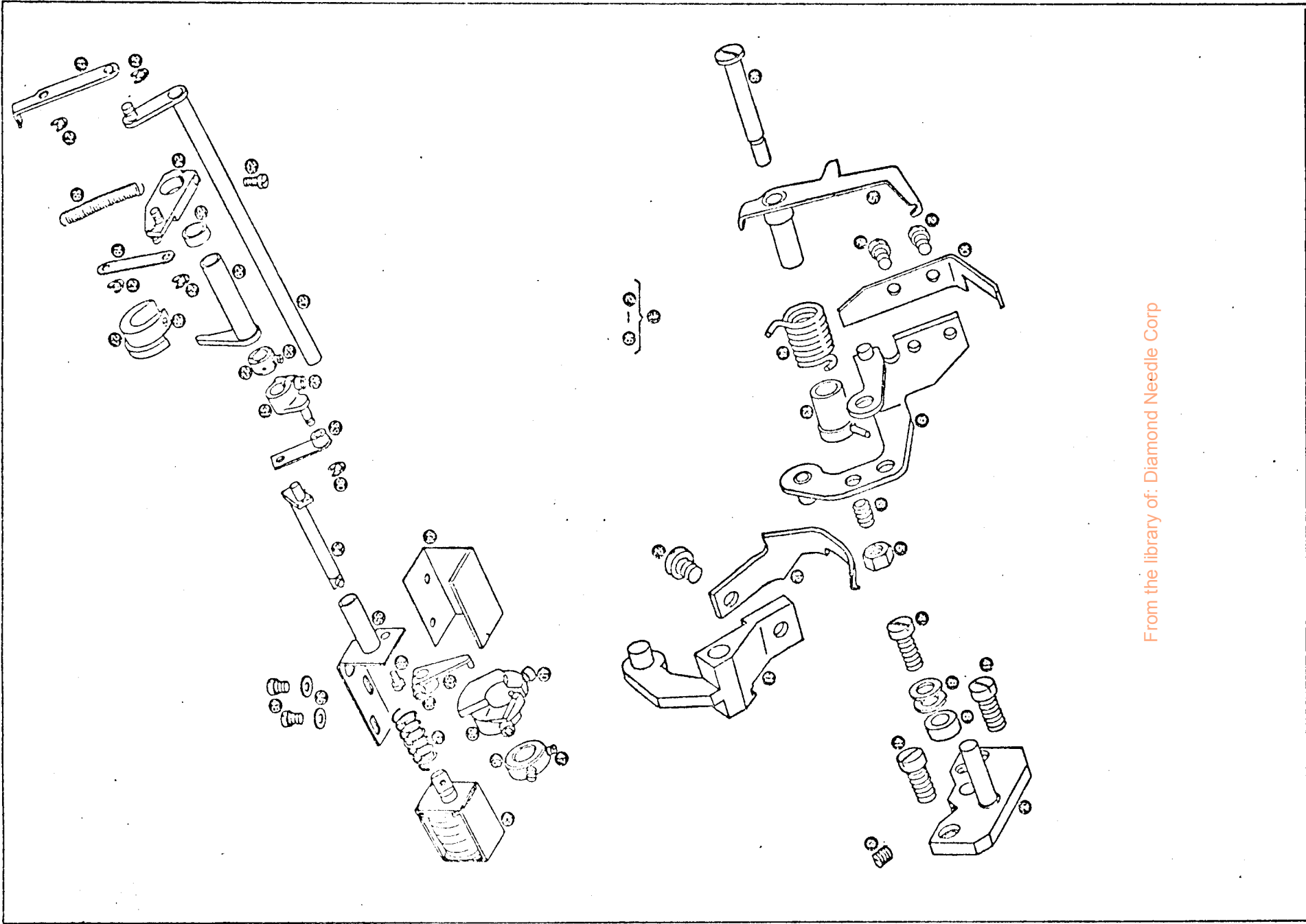
III. Ref. No. Part Number Description

From the Library of Diamant Needle Corp

		For 770A91 Machines only	Nur für 770A91 Maschinen
1	0-603 590-000	Synchronizer	Synchronisator

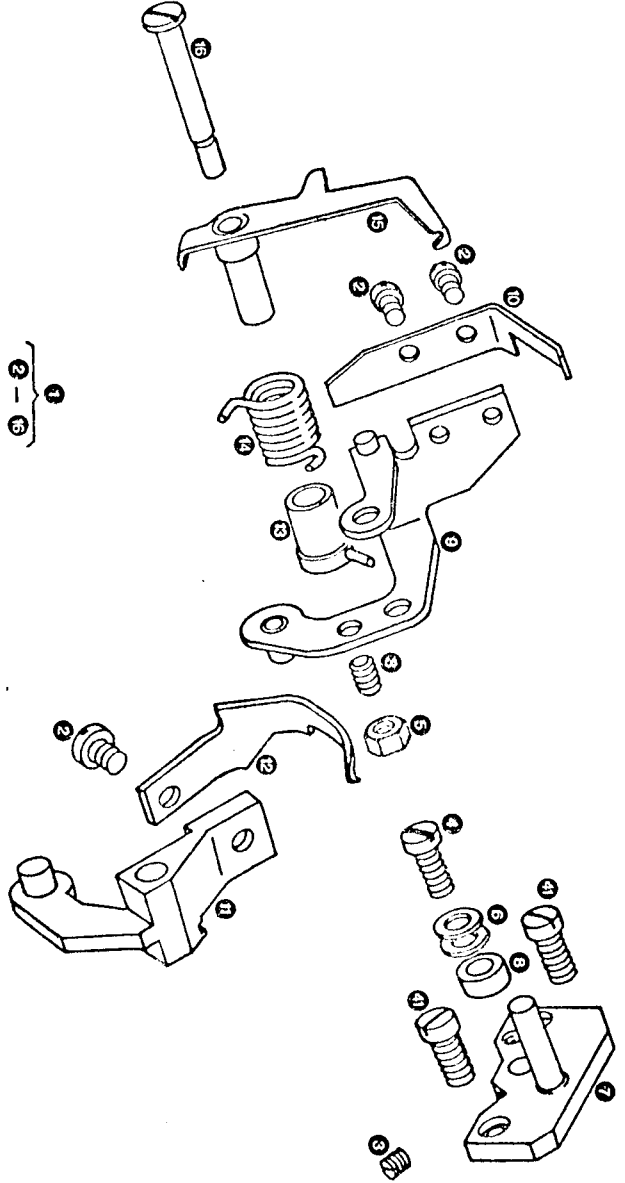
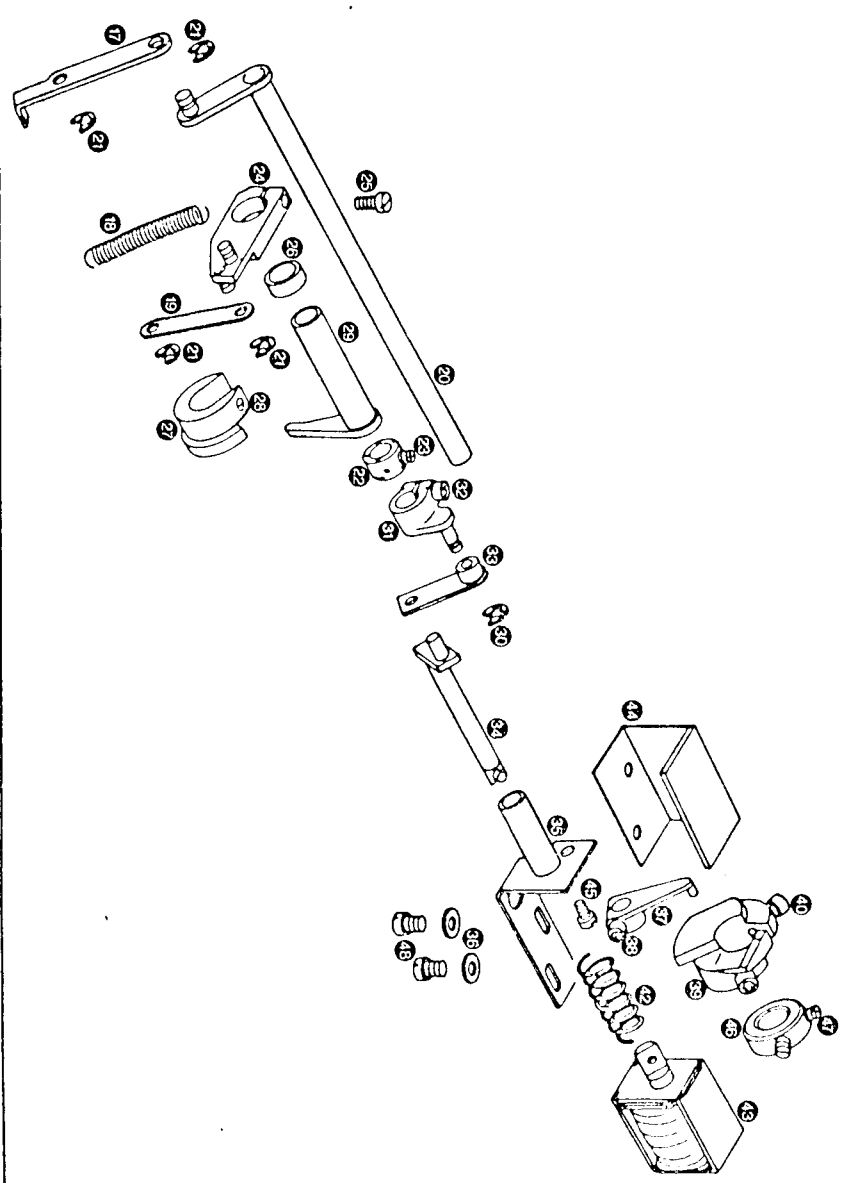


From the library of: Diamond Needle Corp



From the library of: Diamond Needle Corp

Ill. Ref. No.	Part Number	Description	
31	0-513 139-000	Clamping Crank cpl.	Klemmkurbel kpl.
32	0-350 719-869	Hexagon Socket Head Screw	Zylinderschraube mit Innensechskant
33	0-513 140-000	Connecting Link cpl.	Lasche
34	0-512 825-000	Shaft cpl.	Welle kpl.
35	0-512 911-000	Solenoid Bracket cpl.	Magnetträger kpl.
36	0-202 603-000	Washer (2)	Unterlegscheibe
37	0-513 141-000	Follower Lever cpl. (Ref. No. 43)	Tasthebel kpl.
38	0-350 719-869	Hexagon Socket Head Screw	Zylinderschraube mit Innensechskant
39	0-513 142-000	Cam (Ref. No. 45)	Kurve kpl.
40	0-350 719-869	Hexagon Socket Head Screw	Zylinderschraube mit Innensechskant
41	0-186 850-000	Screw (Phillister Head) (2)	Linsenschraube
42	0-512 828-000	Pressure Spring	Druckfeder
43	0-603 277-000	Solenoid	Hubmagnet
44	0-508 981-000	Clamp	Klammer
45	0-000 161-850	Screw (Phillister Head)	Linsenschraube
46	0-513 173-000	Collar	Stellring
47	0-000 453-833	Set Screw (2)	Gewindestift
48	0-500 434-850	Screw (Cylinder Head) (2)	Zylinderschraube

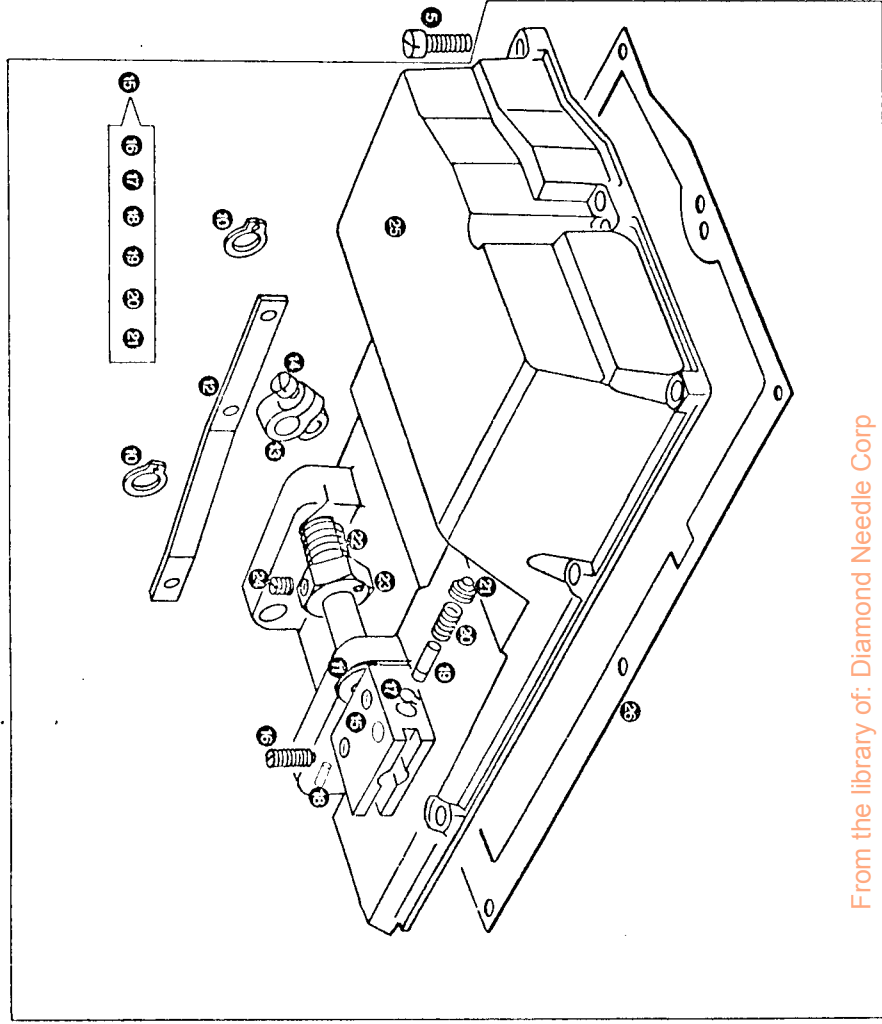
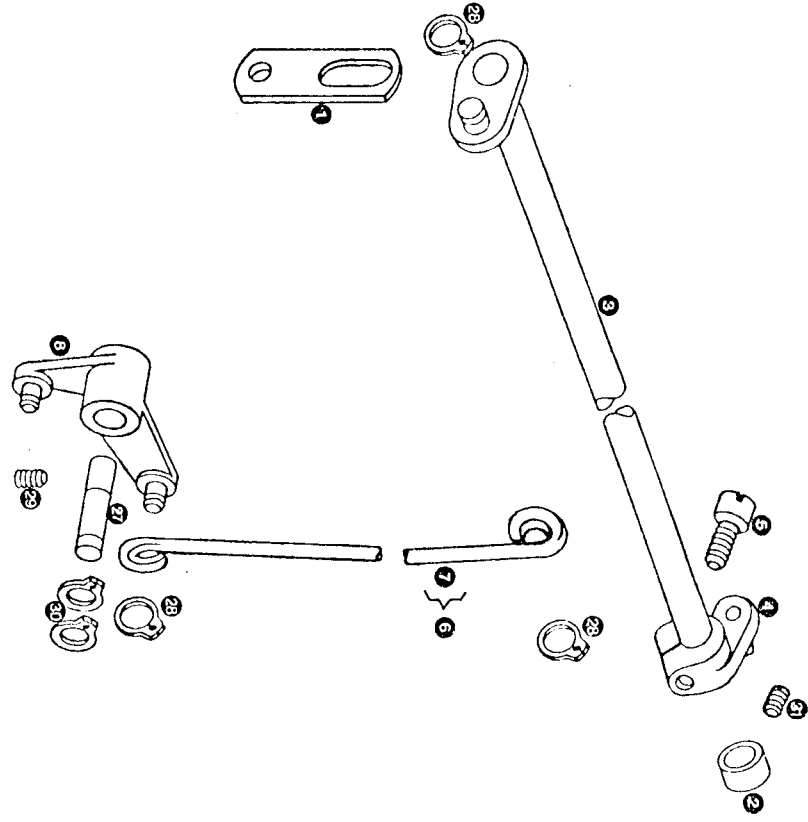


From the library of: Diamond Needle Corp

1.16 Underbed Thread Trimmer - Ober- und Unterfadenscheideeinrichtung

Corporation

Ill. Ref. No.	Part Number	Description	
		For 770A91 Machines only	Nur für 770A91 Masch.
1	0-513 118-000	Trimming Unit (Ref. No. 2-16)	Fadenscheid einrichtung
2	0-000 225-850	Screw (Phillister Head) (3)	Linsenschraube
3	0-000 447-833	Set Screw (2)	Gewindestift
4	0-001 186-850	Screw (Phillister Head)	Linsenschraube
5	0-001 708-850	Hexagon Nut	Sechskantmutter
6	0-506 696-000	Washer (2)	Unterlegscheibe
7	0-513 119-000	Plate cpl.	Platte kpl.
8	0-513 120-000	Washer	Scheibe
9	0-513 121-000	Bracket	Träger
10	0-513 122-000	Trimming Knife	Messer
11	0-513 123-000	Lever cpl.	Traghebel
12	0-513 124-000	Thread Catcher	Fadenfänger
13	0-513 125-000	Bushing	Buchse
14	0-513 126-000	Leg Spring	Biegefeder
15	0-513 127-000	Thread Puller	Fadenzieher
16	0-513 129-000	Eccenter Stud	Exzenterbolzen
17	0-513 130-000	Shackle	Lasche
18	0-513 131-000	Tension Spring	Zugfeder
19	0-513 132-000	Shackle	Lasche
20	0-513 133-000	Shaft cpl.	Schaftwelle
21	0-512 002-000	Retaining Washer (4)	Sicherungsscheibe
22	0-502 606-000	Collar (Ref. No. 23)	Stellring
23	0-050 150-833	Set Screw	Gewindestift
24	0-513 134-000	Crank (Ref. No. 25)	Klenmkurbel kpl.
25	0-001 186-850	Screw (Phillister Head)	Linsenschraube
26	0-513 135-000	Washer	Scheibe
27	0-513 136-000	Cam cpl. (Ref. No. 28)	Nocken kpl.
28	0-500 212-833	Set Screw (2)	Gewindestift
29	0-513 137-000	Lever cpl.	Hebel kpl.
30	0-507 563-000	Retaining Washer	Sicherungsscheibe



From the library of: Diamond Needle Corp

6

1.15 Knee Lifting Device - Knielüftereinrichtung

111. Ref. No.	Part Number	Description	
1	0-512 657-000	Connecting Link	Lasche
2	0-512 966-000	Bushing	Buchse
3	0-513 031-000	Shaft	Welle
4	0-513 033-000	Crank cpl. (Ref. No. 5)	Klemmkurbel kpl.
5	0-500 440-850	Screw (Cylinder Head)	Zylinderschraube
6	0-513 043-000	Connecting Link (Ref. No. 7)	Zugstange
7	0-512 776-000	Connecting Rod	Zugstange
8	0-512 777-000	Angle Lever cpl.	Winkelhebel
9	0-513 052-000	Hook Plate Cover (Ref. No. 10-13, 15, 22-23, 25-26)	Grundplattendeckel
10	0-502 802-000	Retaining Ring	Sicherungsring
11	0-512 053-000	Washer	Scheibe
12	0-512 778-000	Connecting Link	Zugstange
13	0-512 780-000	Crank cpl. (Ref. No. 14)	Kurbel kpl.
14	0-001 149-850	Screw (Cylinder Head)	Zylinderschraube
15	0-512 781-000	Drag Dog cpl. (Ref. No. 16-21)	Halter kpl.
16	0-500 296-833	Set Screw (2)	Gewindestift
17	0-512 025-000	Retaining Washer	Sicherungsscheibe
18	0-512 671-000	Pressure Spring (2)	Druckstück
19	0-512 785-000	Piston	Piston
20	0-512 786-000	Pressure Spring	Druckfeder
21	0-512 787-000	Set Screw	Gewindestift
22	0-512 783-000	Leg Spring	Biegefeder
23	0-512 784-000	Collar (Ref. No. 24)	Stellring kpl.
24	0-500 438-833	Set Screw	Gewindestift
25	0-512 792-000	Hook Plate Cover	Grundplattendeckel
26	0-512 796-000	Gasket	Dichtung
27	0-512 779-000	Stud	Bolzen
28	0-502 802-000	Retaining Ring (3)	Sicherungsring
29	0-000 448-833	Set Screw	Gewindestift
30	0-502 958-000	Retaining Ring (2)	Sicherungsring
31	0-500 438-833	Set Screw	Gewindestift

Installation Figs. A and B

1. Prepare table cut-out in accordance with the diagram shown opposite, paying particular attention to the depth of left front corner and the three holes for the rubber pivot cushions, then assemble table to stand.
2. Give the rubber mounting cushion **1** the rest front cutout **1** on corner and the three rubber pivot cushions in the respective holes.
3. Fit machine rest pin to table.
4. Fasten drip pan to table so that the two holes permit assembly of the knee lifter.
5. To assemble knee lifter to machine insert knee plate arm **2** through opening in drip pan into knee plate arm connection **3** and bring into engagement by pushing. Knee plate **4** may be raised, lowered, or turned to suit operator requirements after loosening set screw **5**. Knee plate **6** may be shifted laterally after loosening set screw **7**. Securely tighten screws **8** and **9** when desired position is obtained. Set stop screw **10** to stop the action of the knee lifter as soon as presser foot is raised high enough to release hand lever on machine. Set stop screw **11** to limit the rest position of the knee lifter. The force of the knee lifter return spring **12** is adjusted by loosening screw **13** and turning hex collar **14**.
6. Assemble tread unwinder and mount on table.

Machine Positioning Lock

Assemble lock (special accessory), for positioning machine during cleaning or V belt removal, to underside of table top.

DEVICE FOR MOMENTARY ACTUATION OF

TOP FEED (FIG. C)

The class 770A51 and 770A91 machines are equipped with a device for momentary actuation of top feed.

1. Fasten chain or connecting rod in hole (1).
2. Refer to page 14 for the operation and adjustment of this device.

Speed

Maximum speed for the machines is as follows:

770 A 51 5,300 RPM

770 A 91 5,300 RPM

Handwheel

During machine operation the handwheel must always turn over towards the operator.

Caution: Machine must not be operated until it has been lubricated as instructed on page 8.

Application and Fittings Guide

770A51 A91

From the library of: Diamond Needle Corp

Fittings und Attachments Satz Nr. 0-517788-010

Ziehender Transporth

Mahtbild

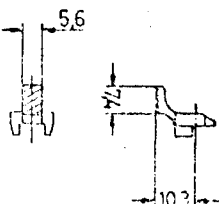
Verwendung: Allgemeine Häharbeiten

Auswahl-Fittings zu Satz Nr. 0-517787-010

Stichlänge: 5 SPI (5 mm)



0-517796-000
STOFFSCHNEIDER
Sägezahnung 22 Zähne/Zoll
pass. zu Stichplatte
0-517793-000



0-517797-000
OBEREIN STOFFSCHNEIDER
Sägezahnung 15 Zähne/Zoll

Application and Fittings Guide

770A51 A91

From the library of: Diamond Needle Corp

Fittings und Attachments Satz Nr. 0-517788-005

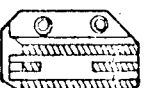
Ziehender Transport

Nahbild

Verwendung: Allgemeine Näharbeiten

Auswahl-Fittings zu Satz Nr. 0-517787-005

Stichlänge: 5 SPI (5 mm)



0-517796-000
STIFFSCHIEBER
Sägezahnung 22 Zähne/Zoll
pass. zu Stichplatte
0-517793-000

SINGER
INDUSTRIAL PRODUCTS

Application and Fittings Guide

770A51 A91

From the library of: Diamond Needle Corp

Fittings and Attachments

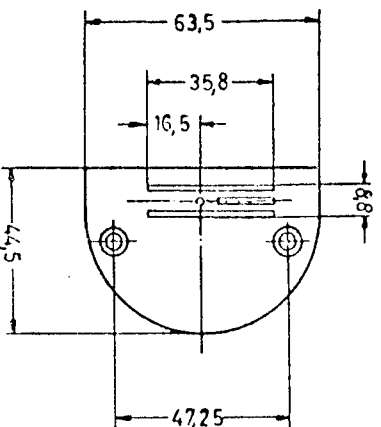
Satz Nr. 0-517785-010

Nahtbild

Schiebender Transport

Verwendung: Zum Nähen feiner Stoffe

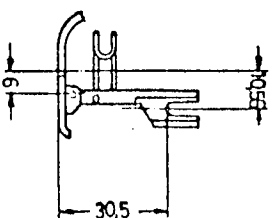
Stichlänge : 5 SPI (5 mm)



0-517771-000

STICHLAPlTTE

Stichlochgröße Nr. 56 (1,15 mm)

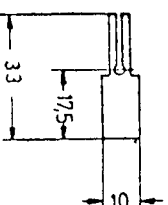


0-517772-000

GELENNRÄHFUSS KPL.

mit Fingerschutz

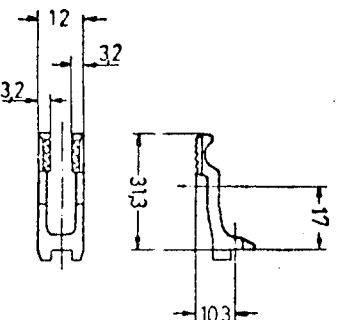
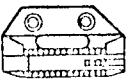
Stichlochgröße Nr. 50 (1,75 mm)



0-108164-000

STOFFSCHIEBER

Sägezahnung 22 Zähne/Zoll



0-517774-000

ÜBERLEB-STOFFSCHNITTGERÄT

Kreuzsägezahnung 22 Zähne/Zoll

SINGER
INDUSTRIAL PRODUCTS

Application and Fittings Guide

770A51A91

From the library of: Diamond Needle Corp

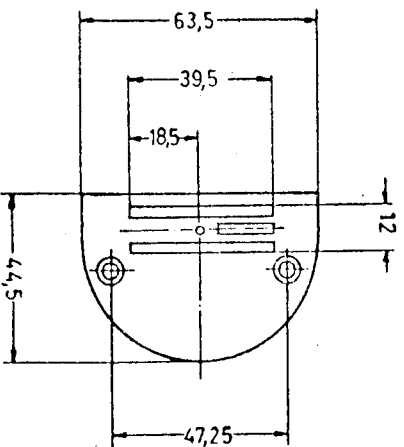
Fittings und Attachments Satz Nr. 0-517785-005

Schiebender Transport

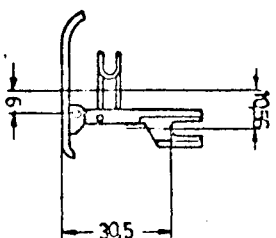
Verwendung: Allgemeine Näharbeiten

Nahtbild

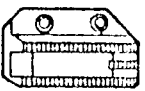
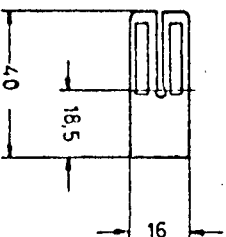
Stichlänge: 5 SPI (5mm)



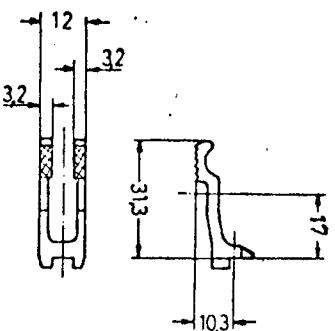
0-517765-000
STICHPLATTE
Stichlochgröße Nr. 53 (1,5 mm)



0-517767-000
GELENKÄHIFUSS KPL.
mit Fingerschutz
Stichlochgröße Nr. 50 (1,75 mm)



0-517766-000
STOFFSCHIEBER
Sägezahnung 22 Zähne/Zoll



0-517770-000
OBERER STOFFSCHIEBER
Kreuzsägezahnung 22 Zähne/Zoll

Application and Fittings Guide

770 A51 A91

From the library of: [Diammond Needle Corp](#)

Fittings and Attachments

Satz Nr. 0-517786-010

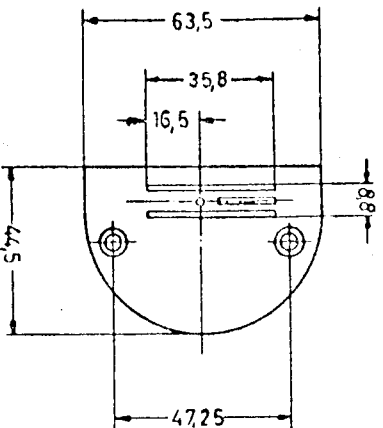
Schiebender Transport

Verwendung: Zum Nähen feiner Stoffe

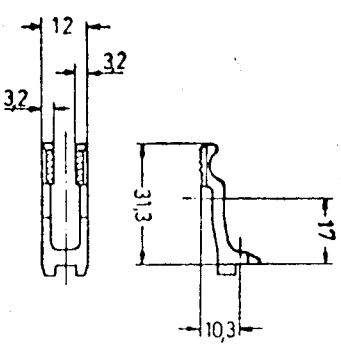
Kantbild

Auswahl-Fittings zu Satz Nr. 0-517785-010

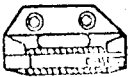
Stichlänge: 5 SPI (5 mm)



0-108168-000
STICHPLATTE
Stichlochgröße Nr. 53 (1,5 mm)
pass. zu Stoffschieber
0-108164-000
0-517783-000



0-517784-000
OBERER STOFFSCHIEBER
Sägezahnung 22 Zähne/Zoll



0-517783-000
STOFFSCHIEBER
Sägezahnung 22 Zähne/Zoll
pass. zu Stichplatte
0-108168-000
0-517771-000

Application and Fittings Guide

770A51 A91

From the library of: **Diamond Needle Corp**

Fittings and Attachments Satz Nr. 0-517786-005

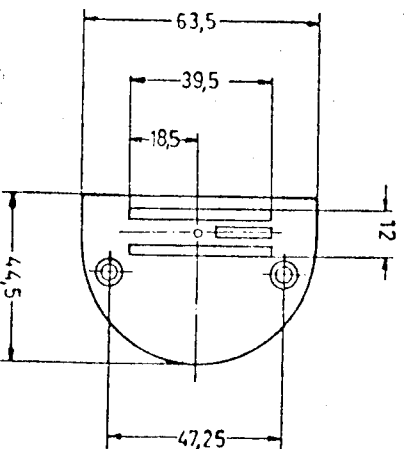
Schiebender Transporth

Nahtbild

Verwendung: Allgemeine Näharbeiten

Auswahl-Fittings zu Satz Nr. 0-517785-005

Stichlänge: 5 SPI (5 mm)



0-517778-000
STICHPLATTE
Stichlochgröße Nr. 56
pass. zu Stoffschieber

- 0-517766-000
- 0-517779-000
- 0-517780-000
- 0-517781-000



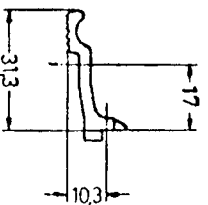
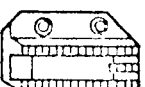
0-517779-000
STOFFSCHIEBER
Kreuzzählung 20 Zähne/Zoll
pass. zu Stichplatte

- 0-517765-000
- 0-517778-000

0-517780-000

STOFFSCHIEBER
Sägezählung 15 Zähne/Zoll
pass. zu Stichplatte

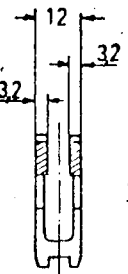
- 0-517765-000
- 0-517778-000



0-517781-000

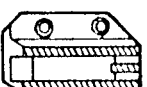
STOFFSCHIEBER
Sägezählung 22 Zähne/Zoll
pass. zu Stichplatte

- 0-517765-000
- 0-517778-000



0-517782-000

OBERER STOFFSCHIEBER
Sägezählung 22 Zähne/Zoll



SINGER
INDUSTRIAL PRODUCTS

Application and Fittings Guide

770 A51 A91

From the library of: Diamond Needle Corp

Fittings und Attachments

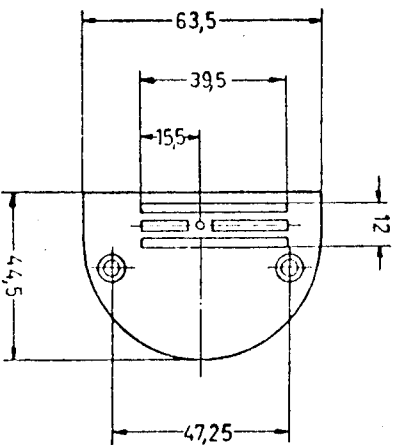
Satz Nr. 0-517787-010

Ziehender Transport

Verwendung: Allgemeine Näharbeiten

Nahtbild

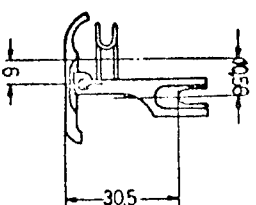
Stichlänge: 5 SPI (5 mm)



0-517793-000

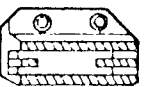
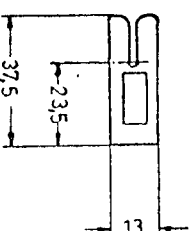
STICHPLATTE

Stichlochgröße Nr. 53 (1,5 mm)



0-517791-000

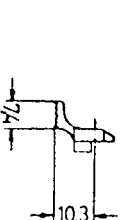
GELENKNÄHFUSS KPL.
mit Fingerschutz
Stichlochgröße Nr. 50
(1,75 mm)



0-517794-000

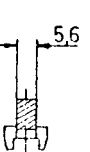
STICFSCHIEBER

Sägezahnung 15 Zähne/Zoll



0-517795-000

OBERER STICFSCHIEBER
Sägezahnung 22 Zähne/Zoll



Application and Fittings Guide

770A51 A91

From the library of: Diamond Needle Corp

Fittings und Attachments

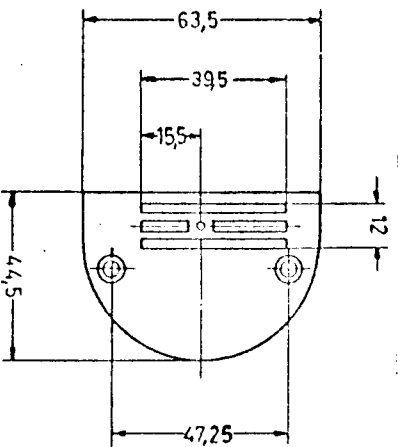
Satz Nr. 0-517787-005

Ziehender Transport

Verwendung: Allgemeine Näharbeiten

Maßbild

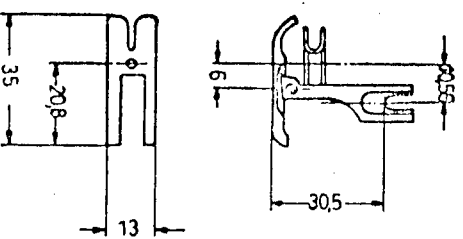
Stichlänge: 5 SPI (5 mm)



0-517793-000

STICHPLATE

Stichlochgröße Nr. 53 (1,5 mm)

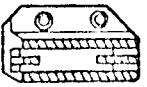


0-517775-000

GELENKHAUFUSS KPL.

mit Fingerschutz

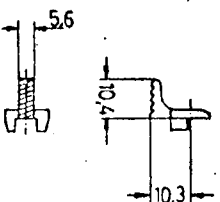
Stichlochgröße Nr. 50 (1,75 mm)



0-517794-000

STOFFSCHIEBER

Sägezahnung 15 Zähne/Zoll



0-108174-000

OBERER STOFFSCHIEBER

Sägezahnung 22 Zähne/Zoll

**Application
and Fittings
Guide**

770
A51
A91

From the library of: Diamond Needle Corp

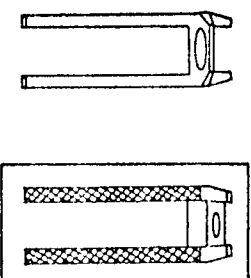
<http://www.singer.com>

Fittings and Attachments

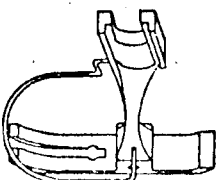
Optional

Coated and laminated materials

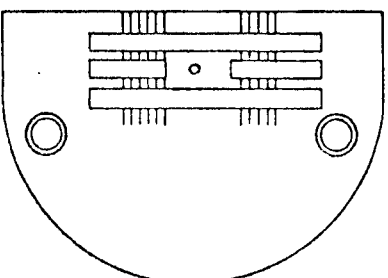
108198
Vibrating
Presser Foot



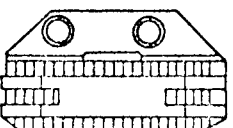
108197
Presser Foot
(hinged)



108344
Throat Plate
(#46 Drill .081
needle hole)



108195
Feed Dog
(16 Teeth per inch)



Application and Fittings Guide

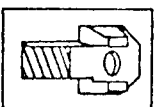
770A51 A91

From the library of: [Diamond Needle Sewing](#)

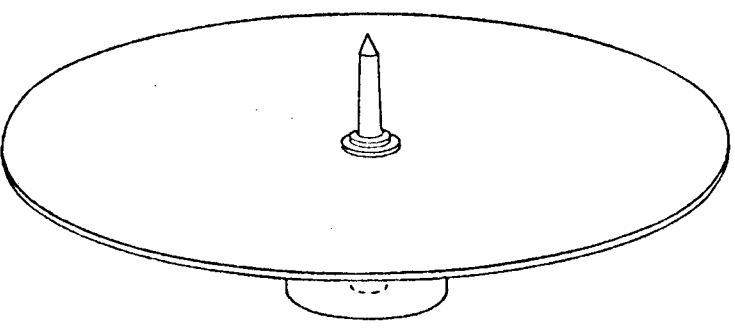
Fittings and Attachments

Optional
Binding Operations

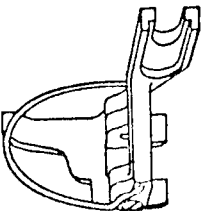
108174
Vibrating
Presser Foot



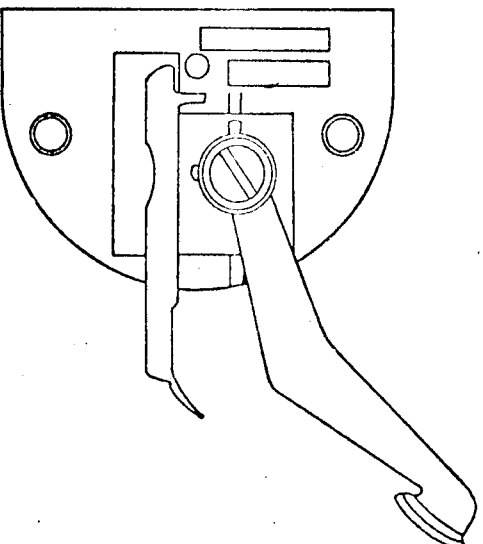
108982
Tape Reel
and Pin



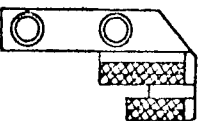
108189
Presser Foot
(hinged)



108348
Throat Plate
(#46 Drill .081
needle hole)
with
108980-048 $\frac{3}{4}$ " mm = 108981-048 $\frac{3}{4}$ " mm
108980-056 $\frac{7}{8}$ " mm = 108981-056 $\frac{7}{8}$ " mm
108980-100 1" mm = 108981-100 1" mm
Right Angle Bias
Binder Head. = Throat Plate with
Binder.



108186
Feed Dog
(20 Teeth per Inch)



Application and Fittings Guide

770 A51 A91

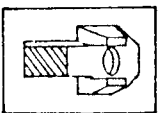
From the library of: Diamond Needle Corp

Fittings and Attachments

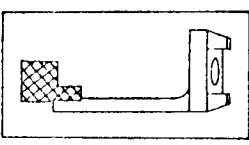
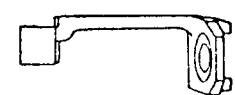
Optional

Edge and Topstitching Collars and Cuffs of Dress Shirts, etc.

108174
Vibrating
Presser Foot

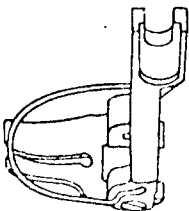


108644
Vibrating
Presser Foot

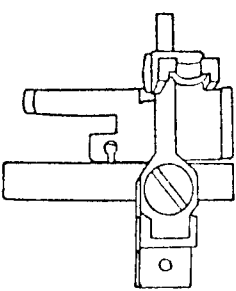


Optional
Fittings for Stitching round collars and cuffs (Adjustable edge guide on presser foot)

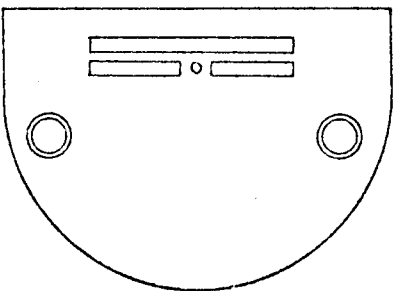
108979
Presser Foot
(hinged)



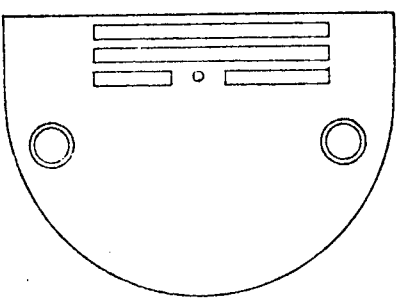
108641
Presser Foot with
Adjustable edge
guide)



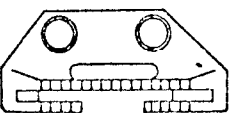
149506
Throat Plate
(#53 Drill .059
needle hole)



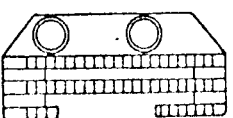
108643
Throat Plate
(#53 Drill .059
needle hole)



20164
Feed Dog
(16 Teeth per inch)



108642
Feed Dog
(16 Teeth per inch)



Application and Fittings Guide

770A51 A91

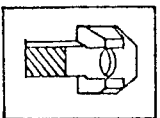
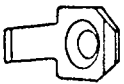
From the library of: **Diamond Needle Corp.**

Fittings and Attachments

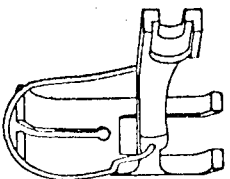
Optional

Run Stitching Collars and Cuffs on Men's Dress Shirts and general sewing

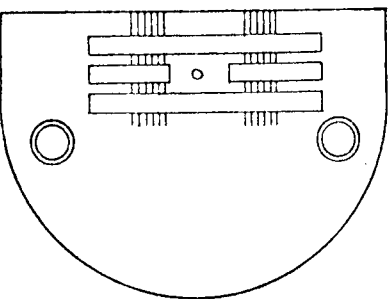
108174
Vibrating
Presser Foot



108173
Presser Foot



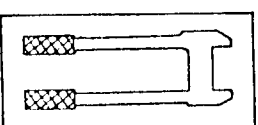
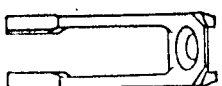
108344
Throat Plate
(#46 Drill .081
needle hole)



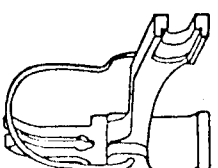
Optional

Stitching and seaming light weight materials

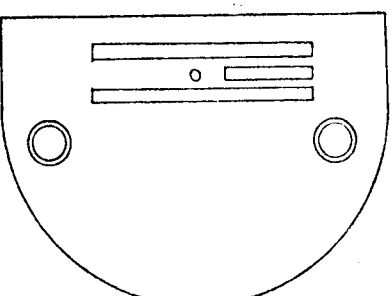
108169
Vibrating
Presser Foot



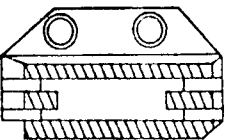
108167
Presser Foot
(hinged)



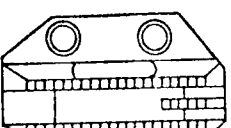
108168
Throat Plate
(#53 Drill .059
needle hole)



108170
Feed Dog
(16 Teeth per inch)



108164
Feed Dog
(22 Teeth per inch)



Application and Fittings Guide

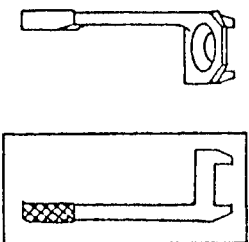
770A51 A91

From the library of: Diamond Needle Corp

Fittings and Attachments

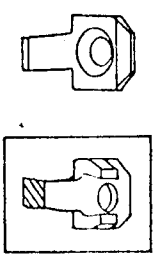
Optional
Stitching Slide Fasteners

108199
Vibrating
Presser Foot

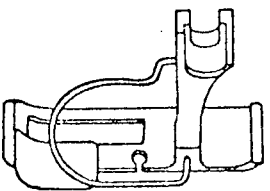


Optional
Hemming sharp curves

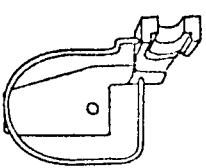
108184
Vibrating
Presser Foot.



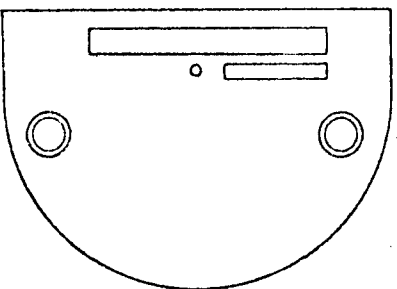
108179
Presser Foot



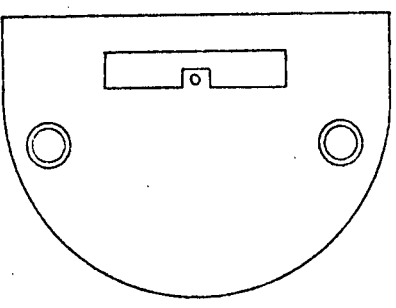
108183
Presser Foot



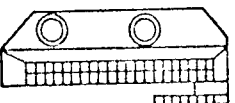
108346
Throat Plate
(#46 Drill .081
needle hole)



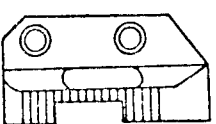
108185
Throat Plate
(#53 Drill .059
needle hole)



108176
Feed Dog
(16 Teeth per inch)



108181
Feed Dog
(22 Teeth per inch)



Application and Fittings Guide

770^{AS1} A91

From the library of: Diamond Needle Corp

Fittings and Attachments

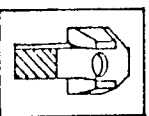
Optional

Shirt tail hemming

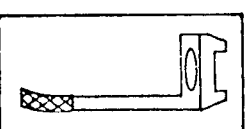
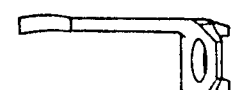
Optional

Hemming operations generally

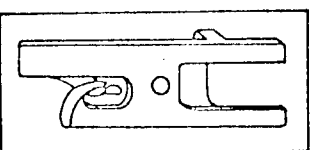
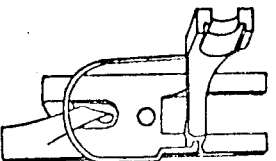
108174
Vibrating
Presser Foot



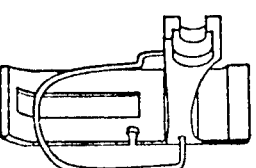
108199
Vibrating
Presser Foot



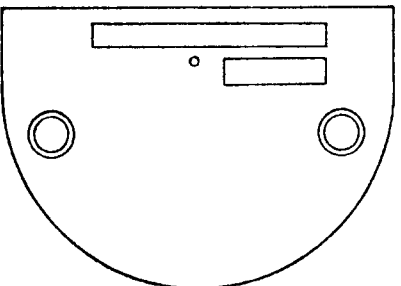
108193
Presser Foot



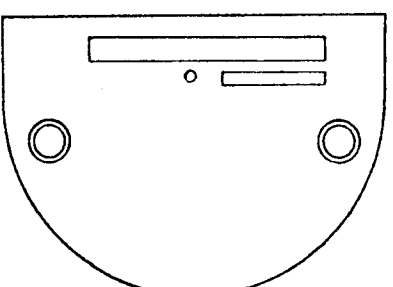
108180
Presser Foot



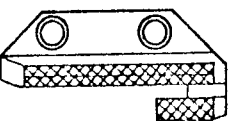
108194
Throat Plate
(#46 Drill .081
needle hole)



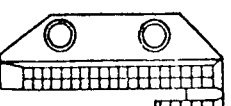
108346
Throat Plate
(#46 Drill .081
needle hole)



108191
Feed Dog
(20 Teeth per inch)



108176
Feed Dog
(16 Teeth per inch)



Application and Fittings Guide

770A51A91

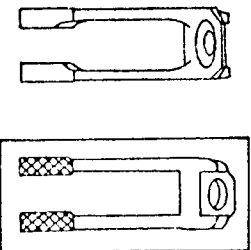
From the library of: **Diamond Needle Corp**

Fittings and Attachments

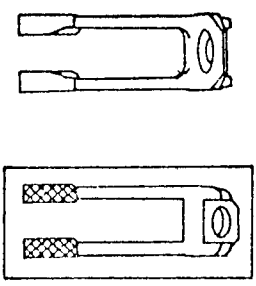
Regular—660A51

General seaming of light to medium weight materials

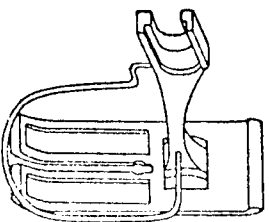
107710
Vibrating
Presser Foot



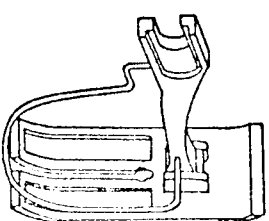
107710
Vibrating
Presser Foot



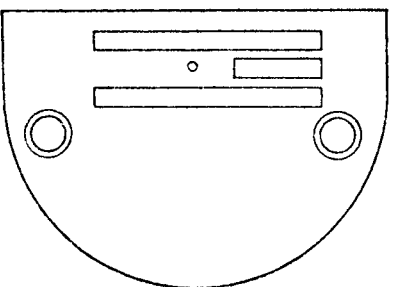
107759
Presser Foot
(hinged)



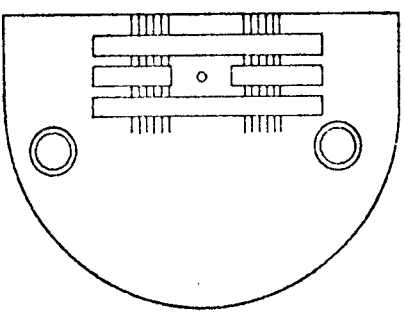
107759
Presser Foot
(hinged)



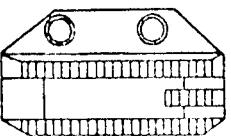
107723
Throat Plate
(# 53 Drill .059
needle hole)



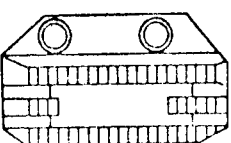
108344
Throat Plate
(# 46 Drill .081
needle hole)



107766
Feed Dog
(22 Teeth per inch)



108195
Feed Dog
(16 Teeth per inch)



Fittings Guide

SINGER
INDUSTRIAL PRODUCTS

From the library of: Diamond Needle Corp

770

A51
A91